



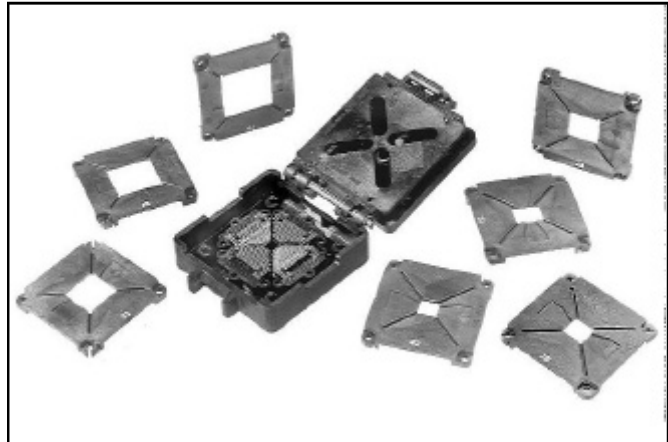
Series 537 Insert Plate for Universal PLCC ZIF Test Socket

FEATURES:

- Seven separate insert plates are conveniently hand-inserted into Aries' "Live Bug" Universal PLCC ZIF Test Socket (Part No. 84-537-21) to hold seven different sizes of PLCC footprints. Consult Data Sheet Nos. 10010 and 10011 for test socket information.
- Four mounting holes (2 are bifurcated) mate with mounting post in socket base for a secure assembly.

SPECIFICATIONS:

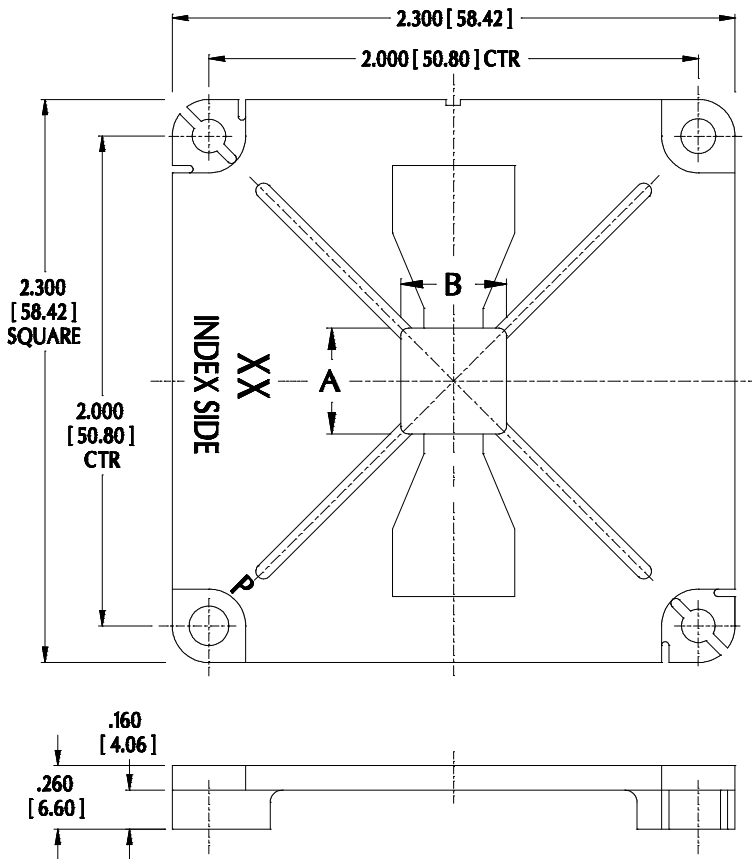
- Insert is black UL 94V-0 Glass-filled Polyphenylene Sulfide (PPS).
- Operating temperature=-85°F to 500°F [-65°C to 260°C].



Note: Aries specializes in custom design and production. In addition to the standard products shown on this page, special materials, platings, sizes, and configurations can be furnished, depending on quantities. Aries reserves the right to change product specifications without notice.

ALL DIMENSIONS: INCHES [MILLIMETERS]

All tolerances $\pm .005$ [.13] unless otherwise specified



ORDERING INFORMATION

XX-537-20

No. of positions on PLCC (see table) | Series | Insert plate for "live bug" test socket

Specify Part No. 1110832 when ordering all seven insert plates

Consult Data Sheet Nos. 10010 and 10011 for test socket information.

| No. of Pos. | Dim. "A" | Dim. "B" |
|-------------|------------------------------|------------------------------|
| 20 | .395/.397 [10.03/10.08] | .395/.397 [10.03/10.08] |
| 28 | .495/.497 [12.57/12.62] | .495/.497 [12.57/12.62] |
| 32 | .495/.497 [12.57/12.62] | .595/.597 [15.11/15.16] |
| 44 | .695/.697 [17.65/17.70] | .695/.697 [17.65/17.70] |
| 52 | .795/.797 [20.19/20.24] | .795/.797 [20.19/20.24] |
| 68 | .995/.997 [25.27/25.32] | .995/.997 [25.27/25.32] |
| 84 | 1.195/1.197 [30.35/30.40] | 1.195/1.197 [30.35/30.40] |



ARIES
ELECTRONICS, INC.

<http://www.arieselec.com> • info@arieselec.com

NORTH AMERICA
Frenchtown, NJ USA
TEL: (908) 996-6841
FAX: (908) 996-3891



EUROPE
TEL: +44 870 240 0249
FAX: +44 871 919 6033
europe@arieselec.com

10012
REV.C