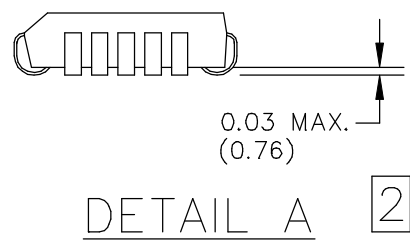
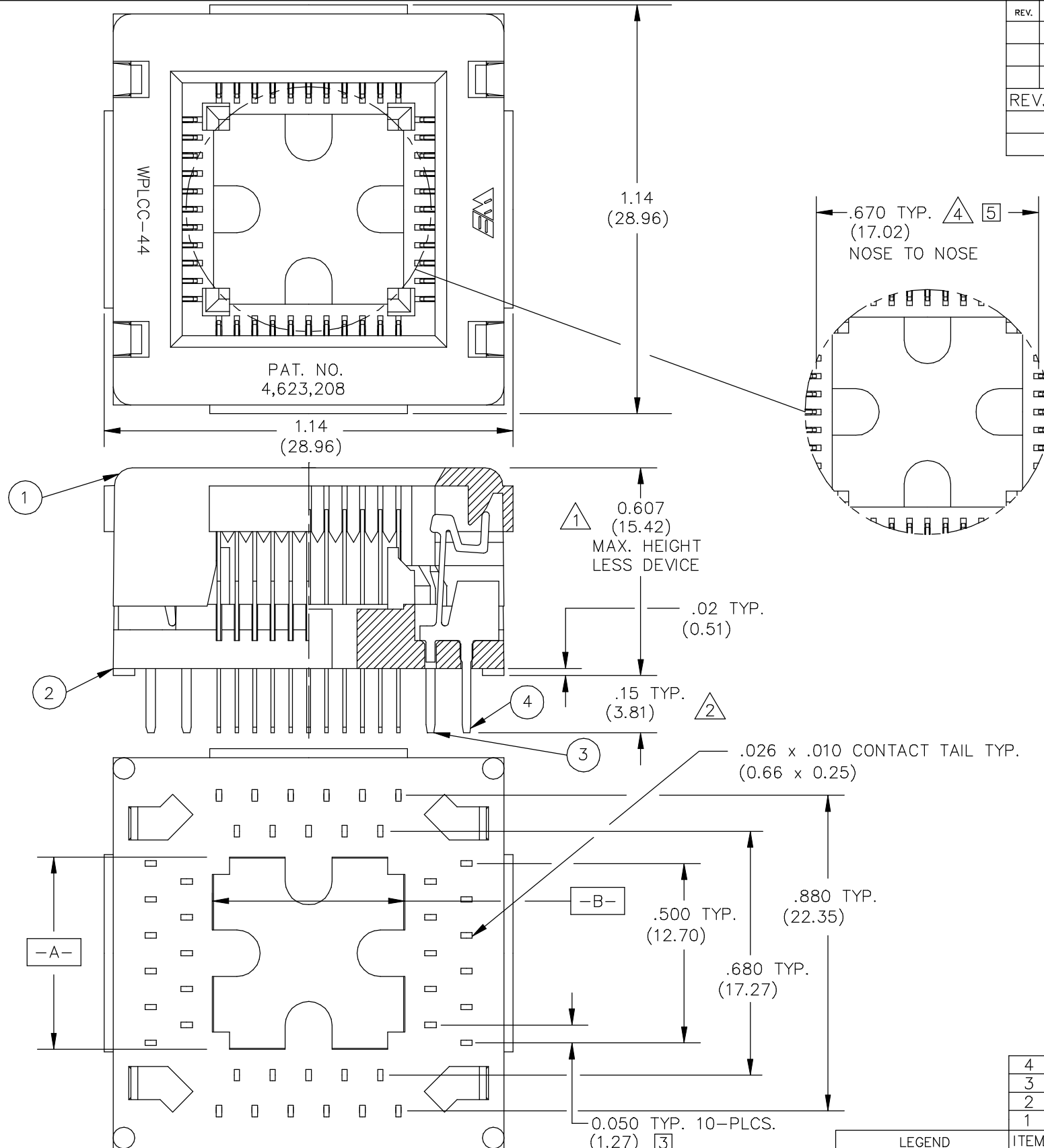


REV.	DATE	BY	REVISION										
REV.	ECN #	REV.	ECN #	REV.	ECN #	REV.	ECN #	REV.	ECN #	REV.	ECN #		



A	C	P
X	X	-
PART NO. 647C144XXXX		

ITEM	PART NUMBER	QTY	DESCRIPTION
4	031-049-XX2	24	CONTACT
3	031-049-XX1	20	CONTACT
2	009-185-X03 (RED RADEL)	1	BASE
1	009-230-X01	1	LID

LEGEND	ITEM	PART NUMBER	QTY	DESCRIPTION
◇	CRITICAL	THIS DOCUMENT CONTAINS PROPRIETARY DESIGNS, SPECIFICATIONS, DATA, INFORMATION AND TECHNICAL MATERIAL THAT ARE THE SOLE PROPERTY OF WELLS ELECTRONIC, INC. THIS INFORMATION IS TO BE HELD AND TREATED BY ITS RECIPIENT ON A CONFIDENTIAL BASIS, AND IS NOT TO BE SHOWN OR DISCLOSED TO THIRD PARTIES WITHOUT THE WRITTEN CONSENT OF WELLS ELECTRONICS, INC. THIS DATA DOES NOT CONVEY MANUFACTURING RIGHTS TO ANY ITEM SHOWN.		
△	MAJOR	MATERIAL	DATE	12-11-90
ALL OTHERS	MINOR	FINISH	CHECKED	DATE
LAST NUMBER USED WAS : 4		DO NOT SCALE	PROJ. ENG. MYERS	DATE 12-12-90
NUMBERS IN CRITICAL & MAJOR DIMENSIONS ARE RANDOMLY PLACED AND HAVE NO SPECIFIC ORDER IN THE WAY THAT THEY HAVE BEEN NUMBERED.		TOLERANCES .XX ±.01(±0.25) .XXX ±.005(±0.13) .XXXX ±.001(±0.025) ANGLE ±1'	CHIEF ENG. T.L.	DATE 12-12-90
PART NO. 647C144XXXX		QUALITY	MFG. ENG.	DATE
			SCALE	4X
			CAD DWG NO.	647C144
			SHEET	SOCKASSY

[5] DIMENSIONS MUST BE SYMMETRICAL TO DATUM A OR DATUM B WITHIN .003 (0.08)
 [4] SOCKET MUST MEET REQUIREMENTS OF WELLS ELECTRONICS ENGINEERING SPEC. ES-P-647.
 [3] AFTER ASSEMBLY, CONTACT TAILS MUST MEET POSITIONAL TOL. PER PIN GAGE #T-0358.
 [2] SOCKETS ACCEPT PACKAGES THAT MEET JEDEC SPECIFICATION MO-047 AC
 1. (XX.XX) DENOTES METRIC DIM'S IN MILLIMETERS.
 NOTES: UNLESS OTHERWISE SPECIFIED