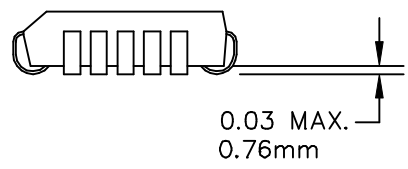
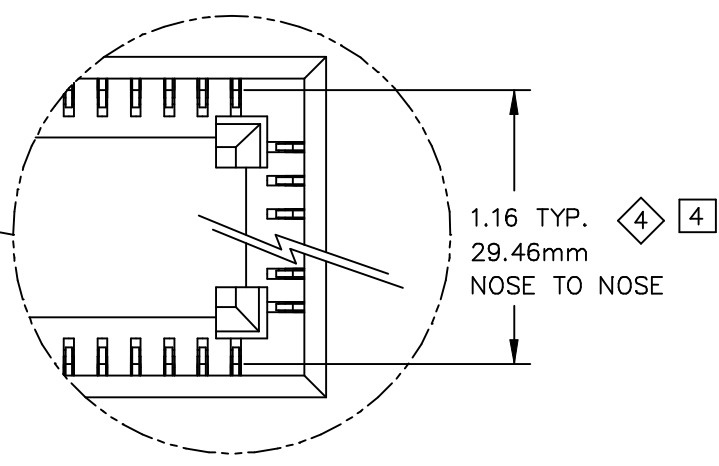
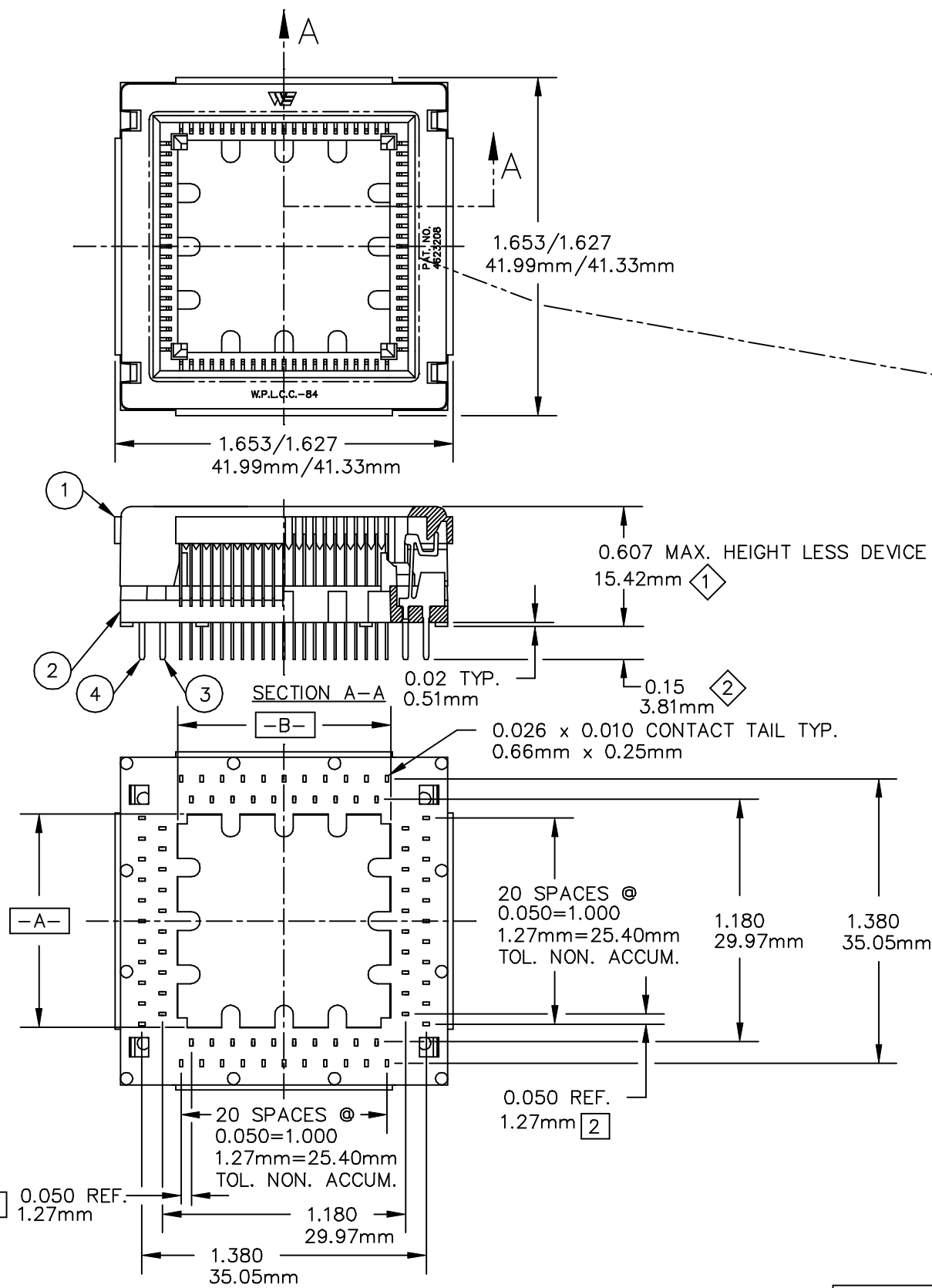


A	C	P	REV	DATE	BY	ECN #	REV	DATE	BY	ECN #	REV	DATE	BY	ECN #
X	X	-	A	3-30-98	SG	98-0284								



- 5. SOCKETS ACCEPT PACKAGES THAT MEET JEDEC SPEC. MO-47 AF WITH THE LIMITATION SHOWN IN DETAIL A.
- 4. DIMENSIONS MUST BE SYMMETRICAL TO DATUM A OR B WITHIN 0.003(0.08mm).  
 $\left[ \begin{matrix} \oplus \\ \ominus \end{matrix} \right] .003 \ 0.08\text{mm} \begin{matrix} \text{A} \\ \text{B} \end{matrix} \begin{matrix} \text{S} \\ \text{S} \end{matrix} \left. \vphantom{\begin{matrix} \oplus \\ \ominus \end{matrix}} \right]$
- 3. SOCKET MUST MEET REQUIREMENTS OF WELLS ELECTRONICS ENGINEERING SPECIFICATION ES-P-647.
- 2. AFTER ASS'Y CONTACT TAILS MUST MEET POSITIONAL TOL. PER PIN GAGE T-0362.
- 1. "mm" DENOTES METRIC DIM'S IN MILLIMETERS.

ITEM	PART NUMBER	QTY	DESCRIPTION
4	031-049-XX2	44	CONTACT
3	031-049-XX1	40	CONTACT
2	009-235-X01	1	BASE
1	009-230-X04	1	LID

LEGEND		ITEM	PART NUMBER	QTY	DESCRIPTION
◇	CRITICAL	THIS DOCUMENT CONTAINS PROPRIETARY INFORMATION THAT IS THE SOLE PROPERTY OF WELLS-CTI. THIS INFORMATION IS TO BE HELD BY ITS RECIPIENT ON A CONFIDENTIAL BASIS, AND IS NOT TO BE DISCLOSED TO OTHERS OR USED WITHOUT WRITTEN CONSENT OF WELLS-CTI.			
4	TOTAL NO. OF ◇ USED				
SIZE	PROJECTION				
C					
DO NOT SCALE		MATERIAL/FINISH	DRAWN KM	DATE 12-12-90	South Bend Indiana USA A subsidiary of PCD, Inc.
		REFERENCE	CHECKED	DATE	
		PROJECT/SERIES 647	ENGINEER MYERS	DATE 12-13-90	
		TOLERANCES	ENG. SUPRV. TL	DATE 12-13-90	
		.XX ±.01 ±0.3mm .XXX ±.005 ±0.13mm .XXX ±.005 ±0.13mm ANGLE ±1'	MFG. ENGR.	DATE	
			QUALITY	DATE	
					PART NAME 84 LD F/SQ PLCC SOCKET (LIVE BUG) PART NUMBER 647C184XXXX SCALE 2X CAD NUMBER 647C184 UNITS: in [mm] SHEET 1 OF 1