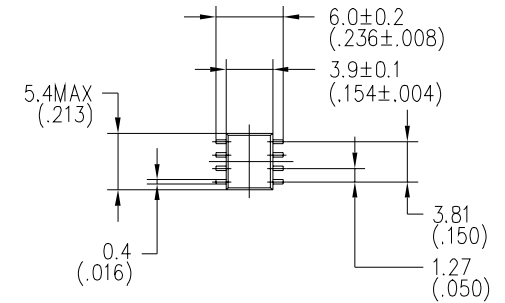
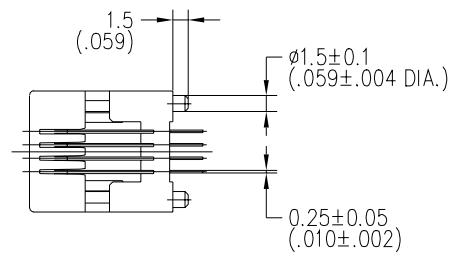
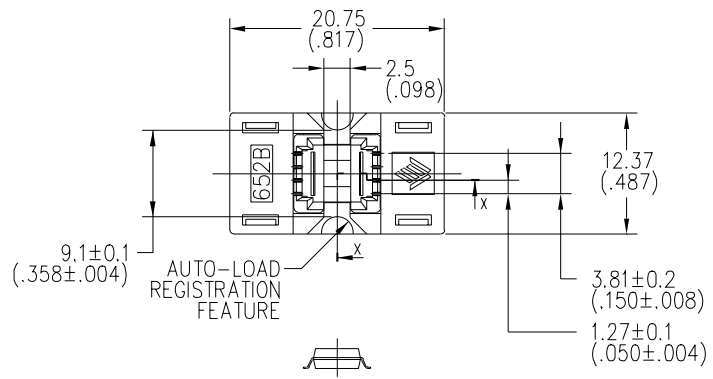
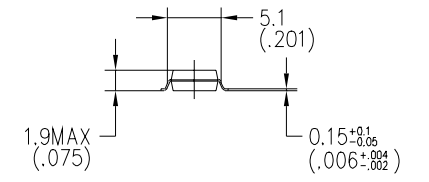
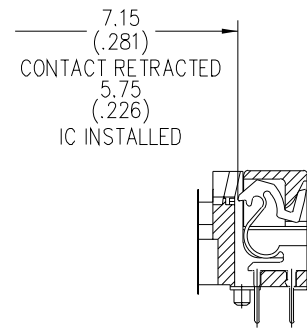


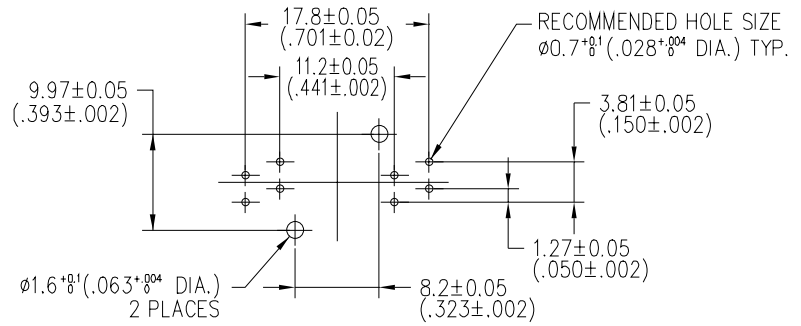
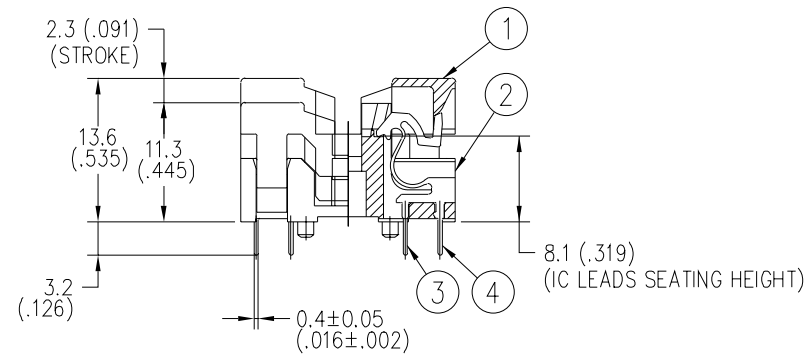
DATE	ECO NO	DESCRIPTION	BY
Sep 5 1994	CDN 94067		A.K



IC TO BE SEATED



RECOMMENDED IC REF.)



FOOTPRINT
FOOTPRINT AS VIEWED LOOKING DOWN
FROM TOP OF SOCKET

Performance.

1. Insulation Resistance : 1000 M Ω min. at 500V.D.C
2. Dielectric Withstanding Voltage : 600 V.A.C (RMS)
3. Contact Resistance : 30 m Ω max. at 20 mV max.
4. Temperature Range : -40°C ~ +150°C

④	CONTACT- (2)	Be Cu	4	PLATING : Au	
③	CONTACT- (1)	Be Cu	4	PLATING : Au	
②	BASE-8P	PEI	1	COLOR : BLACK	
①	COVER-8P	PEI	1	COLOR : BLACK	
P.NO	PART DESCRIPTION	MATERIAL	QTY	NOTE	
GENERAL TOLERANCES		WELLS JAPAN LIMITED ウエルズ・ジャパン株式会社			
±0.3 (±.012)					
UNIT	SCALE				ANGLE
mm (in.)					3rd.
DRAWN	/				/
CHECKED	/	/	TITLE		
APPROVED	/	/	SOP 8P SOCKET		
			DWG NO.	652B0082211-002	