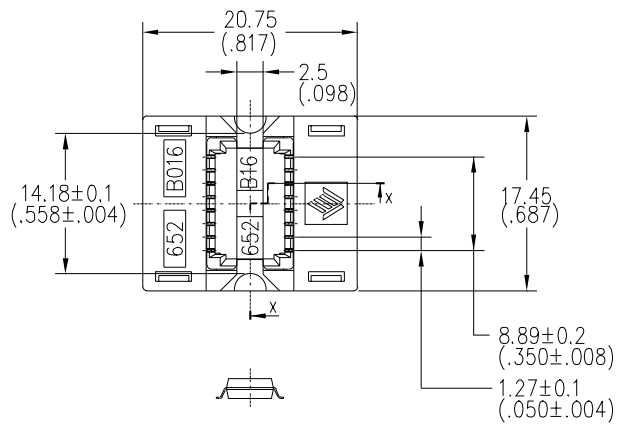
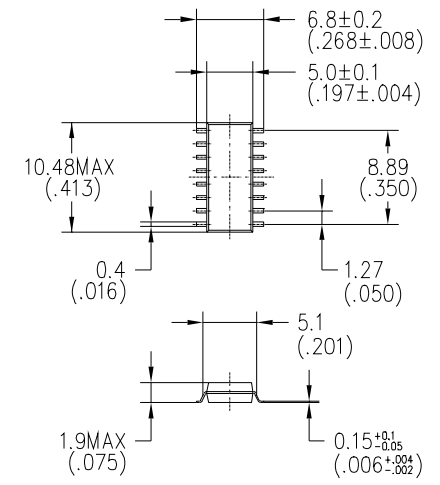
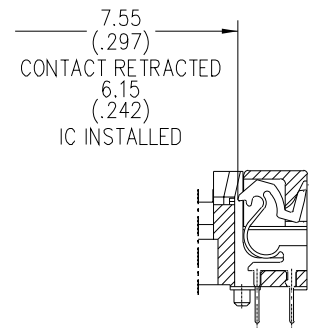
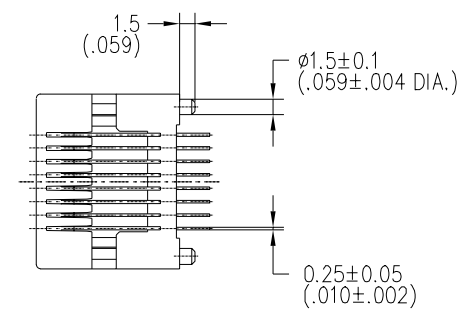


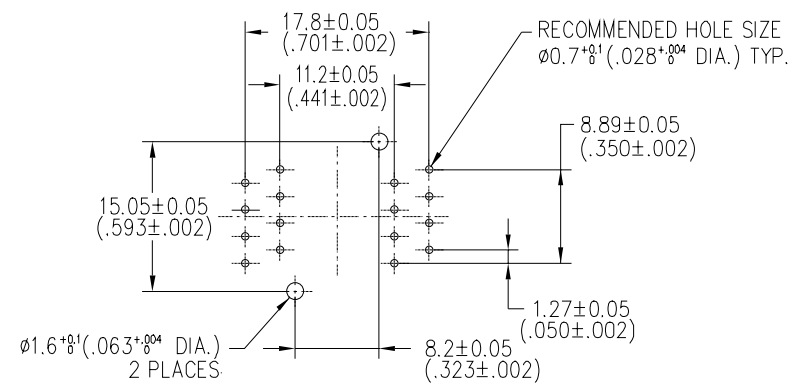
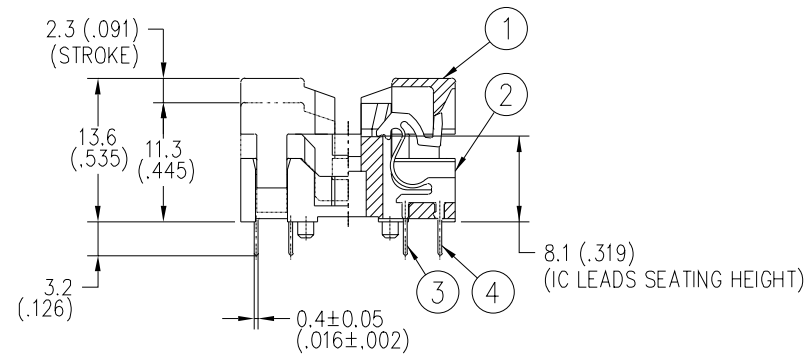
DATE	ECO NO	DESCRIPTION	BY
Sep 5 1994	CDN 94070		A.K



IC TO BE SEATED



RECOMMENDED IC REF.)



FOOTPRINT

FOOTPRINT AS VIEWED LOOKING DOWN FROM TOP OF SOCKET

Performance.

1. Insulation Resistance : 1000 MΩ min. at 500V.D.C
2. Dielectric Withstanding Voltage : 600 V.A.C (RMS)
3. Contact Resistance : 30 mΩ max. at 20 mV max.
4. Temperature Range : -40°C ~ +150°C

④	CONTACT- (2)	Be Cu	8	PLATING : Au	
③	CONTACT- (1)	Be Cu	8	PLATING : Au	
②	BASE-16P	PEI	1	COLOR : BLACK	
①	COVER-16P	PEI	1	COLOR : BLACK	
P. NO	PART DESCRIPTION	MATERIAL	QTY	NOTE	
GENERAL TOLERANCES		<b>WELLS JAPAN LIMITED</b> ウエルズ・ジャパン株式会社			
±0.3 (±.012)					
UNIT	SCALE				ANGLE
mm (in.)	—				3rd.
DRAWN	/				/
CHECKED	/	/	TITLE		
APPROVED	/	/	DWG NO.		
		SOP 16P SOCKET			
		652B0162211-001			