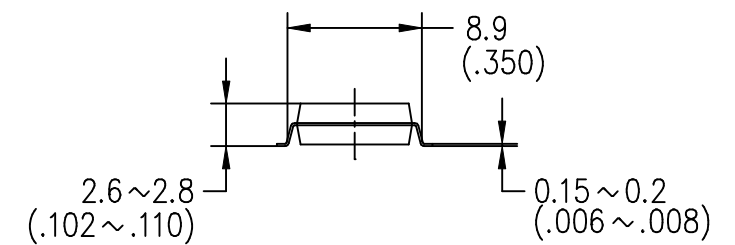
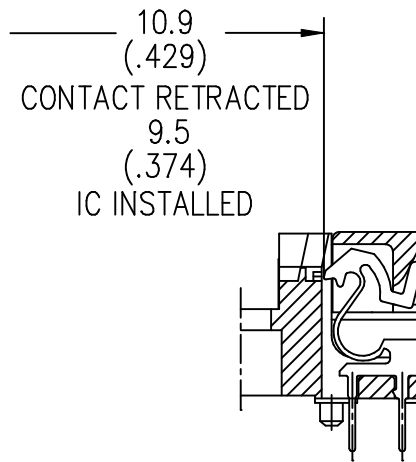
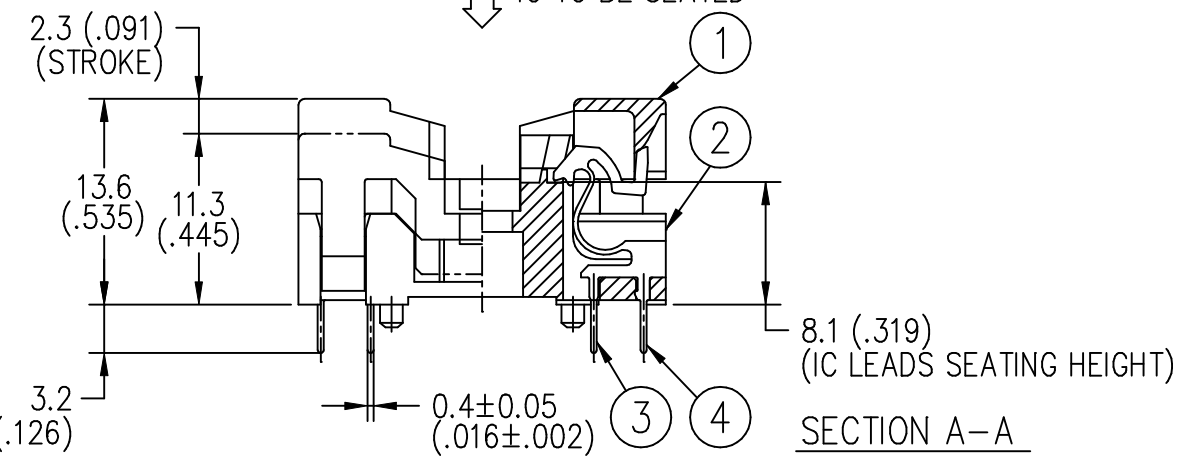
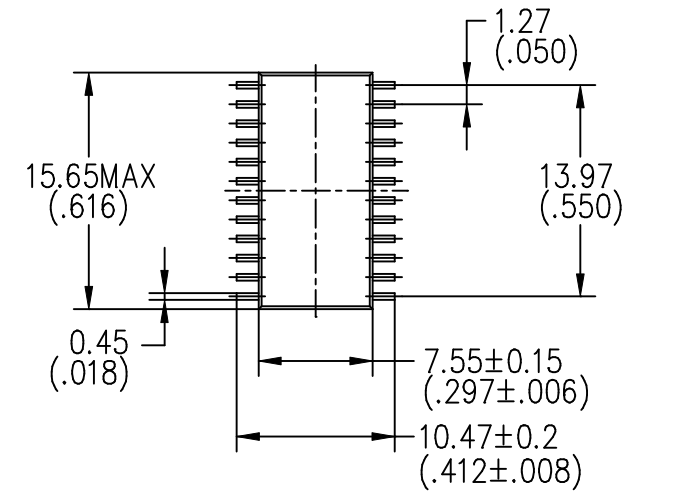
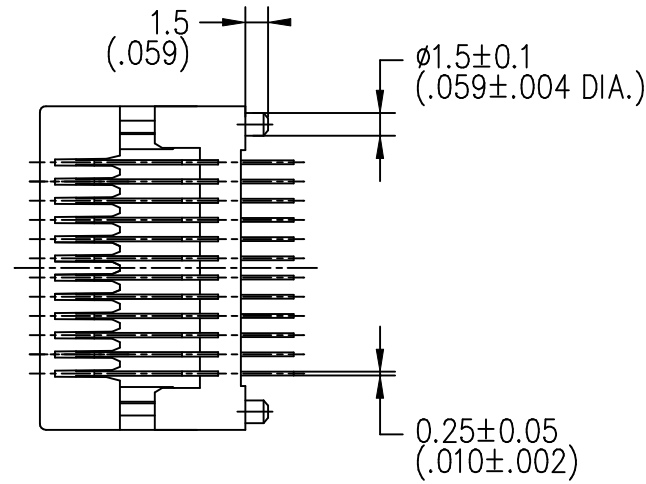
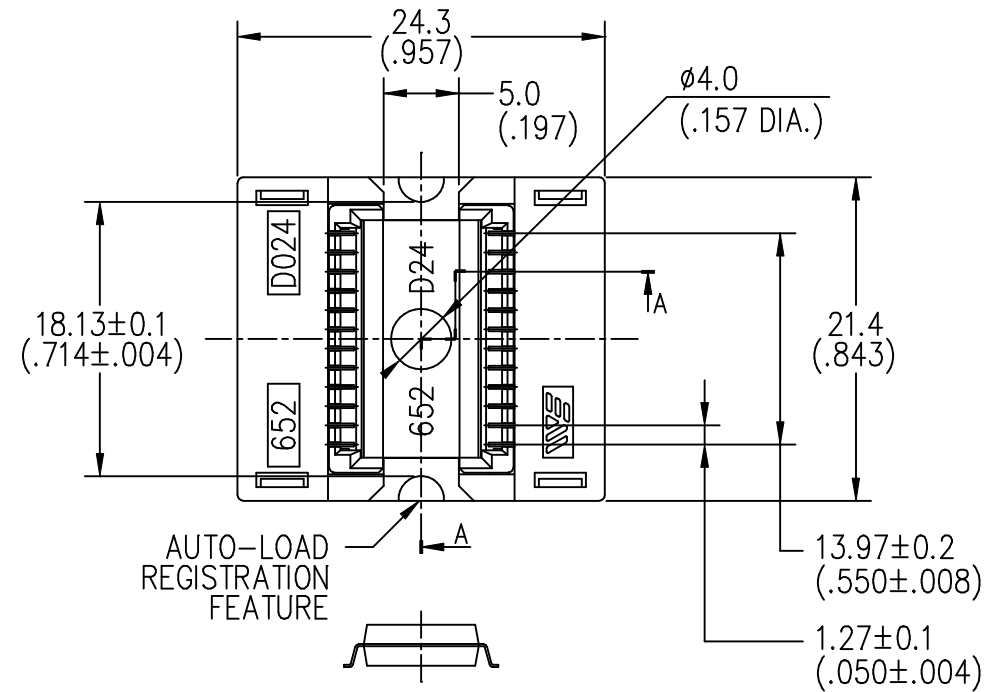


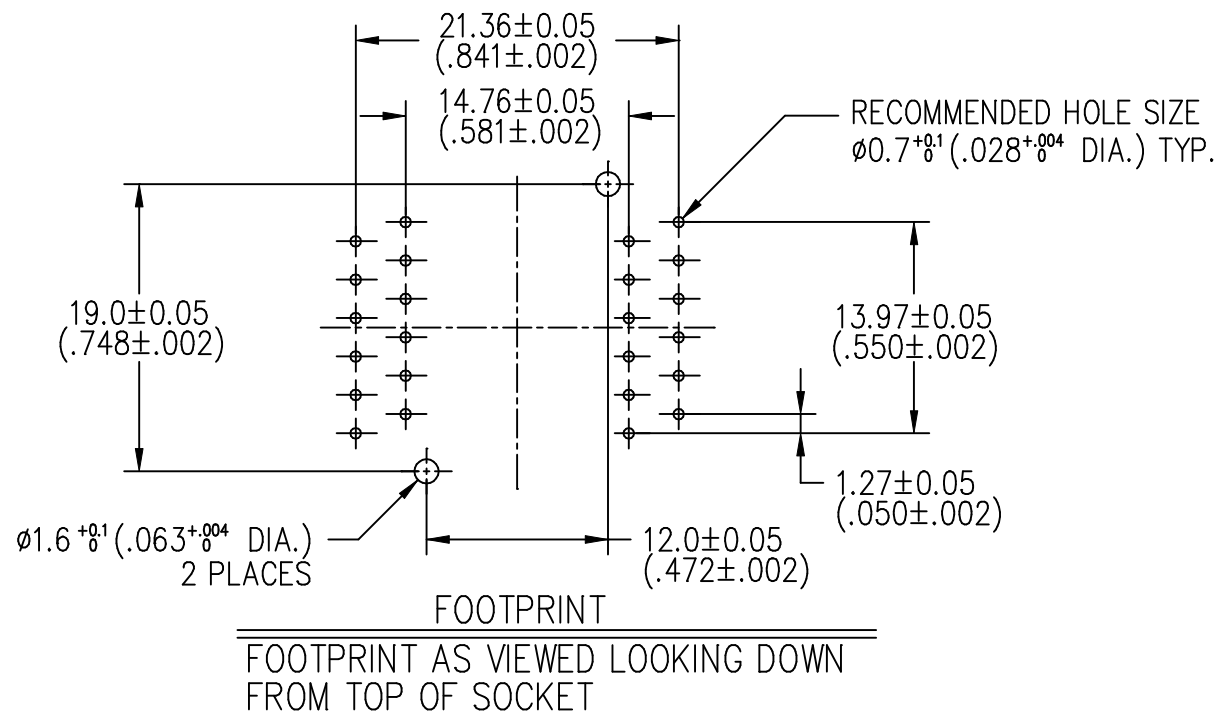
DATE	ECO NO	DESCRIPTION	BY
Feb 3 1993	CDN 93003		A.K
Apr 27 1993		Revise	A.K
	DCN 93025	Revise	A.K



RECOMMENDED IC REF.)

Performance.

1. Insulation Resistance : 1000 MΩ min. at 500V.D.C
2. Dielectric Withstanding Voltage : 600 V.A.C (RMS)
3. Contact Resistance : 30 mΩ max. at 20 mV max.
4. Temperature Range : -40°C ~ +150°C



④	CONTACT- (2)	Be Cu	12	PLATING : Au
③	CONTACT- (1)	Be Cu	12	PLATING : Au
②	BASE-24P	PEI	1	COLOR : BLACK
①	COVER-24P	PEI	1	COLOR : BLACK
P.NO	PART DESCRIPTION	MATERIAL	QTY	NOTE
GENERAL TOLERANCES				
±0.3 (±.012)				
UNIT	SCALE	ANGLE	TITLE	
mm (in.)	2/1	3rd.	SOP 24P SOCKET	
DRAWN	/ /		DWG NO.	
CHECKED	/ /		652D0242211	
APPROVED	/ /			

**WELLS JAPAN LIMITED**  
ウエルズ・ジャパン株式会社