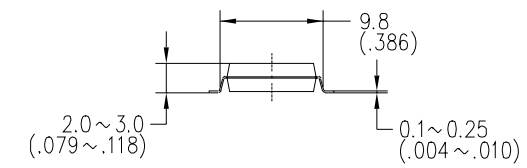
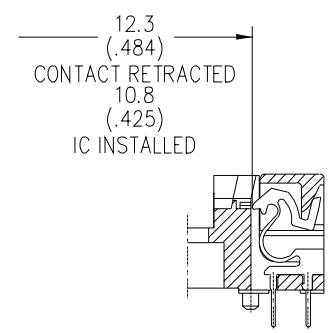
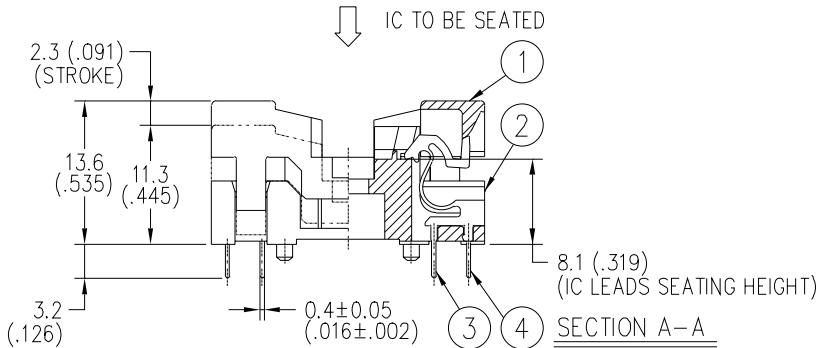
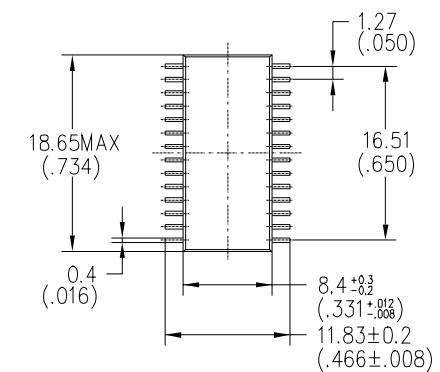
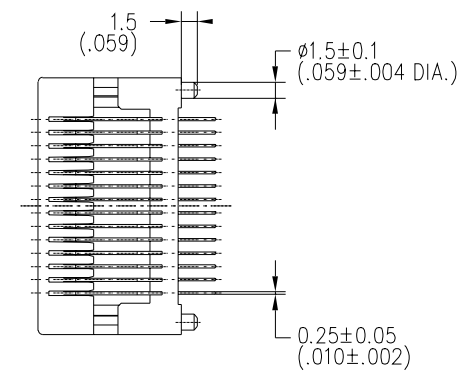
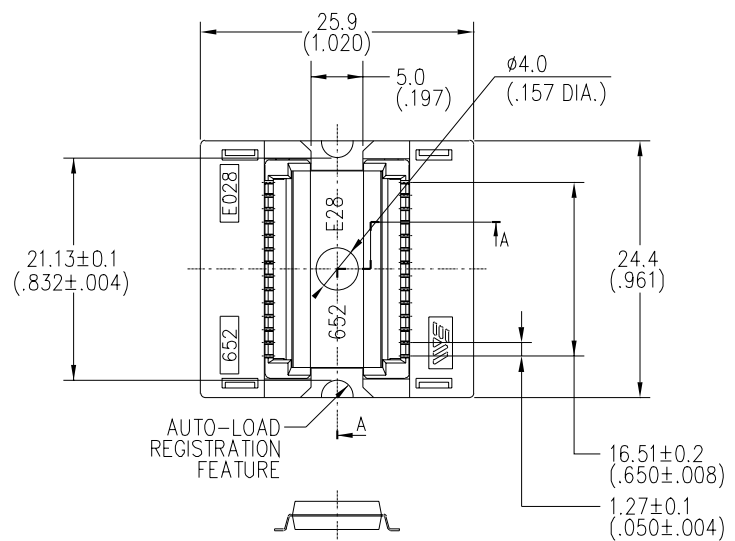
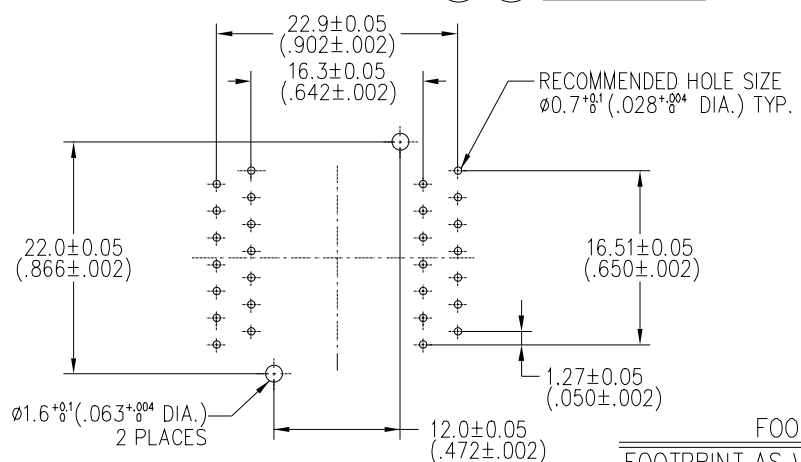


DATE	ECO NO	DESCRIPTION	BY
Feb 9 1993	CDN 93006		A.K
	DCN 93025	Revise	A.K




Performance.

1. Insulation Resistance : 1000 MΩ min. at 500V.D.C
2. Dielectric Withstanding Voltage : 600 V.A.C (RMS)
3. Contact Resistance : 30 mΩ max. at 20 mV max.
4. Temperature Range : -40°C ~ +150°C



FOOTPRINT AS VIEWED LOOKING DOWN FROM TOP OF SOCKET

④	CONTACT- (2)	Be Cu	14	PLATING : Au		
③	CONTACT- (1)	Be Cu	14	PLATING : Au		
②	BASE-28P	PEI	1	COLOR : BLACK		
①	COVER-28P	PEI	1	COLOR : BLACK		
P. NO	PART DESCRIPTION	MATERIAL	QTY	NOTE		
GENERAL TOLERANCES ±0.3 (±.012)		 WELLS JAPAN LIMITED ウェルズ・ジャパン株式会社				
UNIT	SCALE				ANGLE	TITLE
mm (in.)	2/1				3rd.	SOP 28P SOCKET
DRAWN	/				/	DWG NO.
CHECKED	/				/	652E0282211
APPROVED	/	/				