



## Kapitel 2

### Serie BNC Series BNC

2003

COAX

#### Übersicht Content

1	BNC-Kabelstecker BNC Straight Plug .....	26
2	BNC-Kabelstecker Crimp BNC Straight Plug Crimp .....	27
3	BNC-Kabelwinkelstecker BNC Angle Plug.....	29
4	BNC-Kabelwinkelstecker Crimp BNC Angle Plug Crimp.....	30
5	BNC-Abschlusswiderstandsstecker BNC Termination Plug.....	31
6	BNC-Kabelbuchse BNC Straight Jack .....	32
7	BNC-Kabelbuchse Crimp BNC Straight Jack Crimp .....	32
8	BNC-Kabeleinbaubuchse BNC Bulkhead Jack .....	33
9	BNC-Kabeleinbaubuchse Crimp BNC Bulkhead Jack Crimp .....	33
10	BNC-Kabeleinbaubuchse mit Flansch BNC Panel Jack .....	35
11	BNC-Kabelwinkeleinbaubuchse Crimp BNC Angle Bulkhead Jack Crimp .....	36
12	BNC-Einbaubuchse BNC Bulkhead Socket.....	36
13	BNC-Einbaubuchse, isoliert BNC Bulkhead Socket, insulated .....	37
14	BNC-Einbaubuchse mit Flansch BNC Panel Socket .....	38
15	BNC-Einbaubuchse mit Schalter BNC Bulkhead Receptacle with Switch .....	38
16	BNC-Einbaubuchse für gedruckte Schaltungen, isolierter Einbau BNC Bulkhead Receptacle, insulated for Printed Circuits.....	39
17	BNC-Winkeleinbaubuchse BNC Angle Bulkhead Socket.....	40
18	BNC-Buchse für gedruckte Schaltungen BNC Receptacle, female, for Printed Circuits.....	41
19	BNC-Winkelbuchse für gedruckte Schaltungen BNC Angle Receptacle, female, for Printed Circuits.....	41
20	BNC-Kupplung BNC Adaptor .....	42
21	BNC-Verbindungsstück BNC Adaptor for Panel Mounting.....	42
22	BNC-Winkelverbindungsstück BNC Angle Adaptor .....	43
23	BNC-T-Stück BNC T Adaptor .....	43
24	BNC-Abdeckkappe BNC Dust Cap.....	44
25	BNC-Anpassungsglied und Leergehäuse BNC Impedance Adaptor and Empty Box.....	45
26	BNC-Dämpfungsglied/Durchgangsabschluss BNC Attenuator/Through Termination.....	45
27	BNC-Kerbfilter BNC Notch Filter.....	46

Die Serie BNC umfasst die am häufigsten verwendeten koaxialen Steckverbindungen, die bis zu einer Frequenz von 4 GHz eingesetzt werden. Sie verfügen über einen Bayonettverschluss und werden in den Ausführungen mit 50 Ohm und 75 Ohm Wellenwiderstand angeboten. Steckverbindervarianten gibt es für flexible, Semi-Flex- und Semi-Rigid-Kabel. Die Leiterplattensteckverbinder der Serie BNC sind als Löt- bzw. Einpresstypen erhältlich. Kabel werden je nach Ausführung durch Crimpen, Klemmen oder Löten angeschlossen. Die Steckverbinder der Serie BNC werden in der Signal-, Daten- und Videoübertragung eingesetzt.

Diese Steckverbinder erfüllen die Querdichtigkeit im Steckgesicht zwischen Stecker und Buchse im gesteckten Zustand gemäß IP 54. Diese Schutzklasse ist pauschal für die Serie BNC festgelegt worden. Für einzelne Steckverbindungen kann es zu Abweichungen kommen. Im Zweifelsfall bitte anfragen.

The BNC series is the most commonly used coax connector. With the bayonet twist coupling this connector can be used up to 4 GHz. Both 50 and 75 ohms impedances are available. Connector styles are available for flexible, conformable and semi-rigid cable types. Versions of the BNC connector are available for mounting to printed circuit boards using both thru-hole soldered and thru-hole press-fit techniques. Both crimp and clamp cable termination processes are used for this series. Applications for BNC connectors vary from signal patches to video transmission.

Mating face sealing for BNC connectors between plug and jack (mated) according to IP 54. The classifications are general statements for the relevant series. Individual connectors may deviate from the values shown. If in doubt, please consult our engineers.

**Mechanische Eigenschaften.....Mechanical Characteristics**

■ Lebensdauer (Steckungen) .....	≥ 500 .....	Durability (mating cycles) ■
■ Werkstoffe .....		Materials ■
Federnde Kontaktteile .....	CuBe2; CuPb1.15Ni1(C97) .....	Spring contacts
Außenleiter .....	CuZn39Pb3 .....	Outer conductor
Sonstige Metallteile .....	8282CuZn39Pb3 .....	Other metal parts
Isolierteile .....	PTFE, PE .....	Insulators
Dichtungen .....	Silicon .....	Gaskets
■ Oberflächen .....		Finish ■
Innenleiter .....	Cu1Ni2Au0.8 .....	Inner conductor
Außenleiter .....	Cu2Ni5 .....	Outer conductor
Sonstige Metallteile .....	Cu2Ni5 .....	Other metal parts

**Thermische und klimatische Eigenschaften ..... Climatic Characteristics**

■ Prüfklasse nach DIN IEC 68 Teil 1 .....		Climatic category acc. to IEC 68 - 1 ■
■ Typen mit PTFE Isolierung .....	40/155/21 .....	Types with PTFE insulator ■
■ Typen mit PE Isolierung .....	40/75/21 .....	Types with PE insulator ■

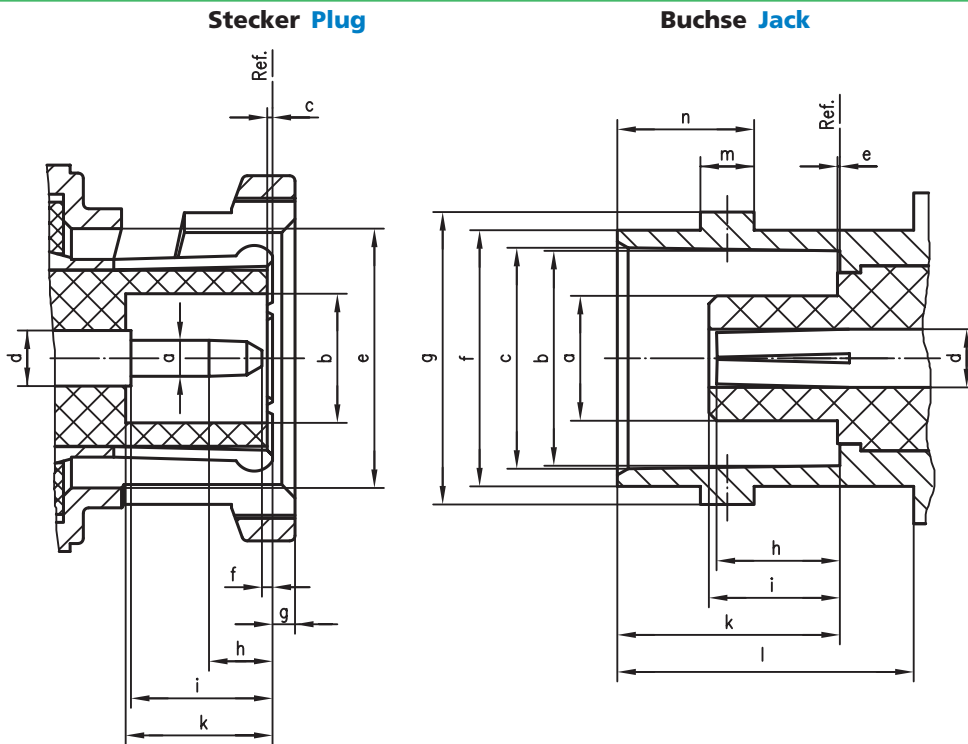
**Elektrische Eigenschaften ..... Electrical Characteristics**

■ Durchgangswiderstand .....		Contact resistance ■
Innenleiter .....	≤ 20 mΩ .....	Inner conductor
Außenleiter .....	≤ 5 mΩ .....	Outer conductor
■ Isolationswiderstand .....	≥ 5 GΩ .....	Insulation resistance ■
■ Spannungsfestigkeit .....	1.5 kV <sub>eff</sub> /50 Hz .....	Voltage proof ■
■ Wellenwiderstand .....	50 Ω/(75 Ω) .....	Impedance ■
■ Rückflussdämpfung .....		Return loss ■
Gerade Ausführung .....	≥ 20 dB/3 GHz .....	Straight style
Winkel Ausführung .....	≥ 17.7 dB/3 GHz .....	Angle style
■ Betriebsspannung .....	≤ 500 V <sub>eff</sub> /50 Hz .....	Working voltage ■
■ Frequenzbereich bis .....	4 GHz .....	Frequency range up to ■

Die oben angeführten Rückflussdämpfungswerte entsprechen der IEC-Norm 60 169-8. Diese Norm zeigt nur Mindestwerte. Die tatsächlichen elektrischen Parameter der einzelnen Steckverbindungen übersteigen meist die der IEC-Norm und sind auf Anfrage erhältlich.

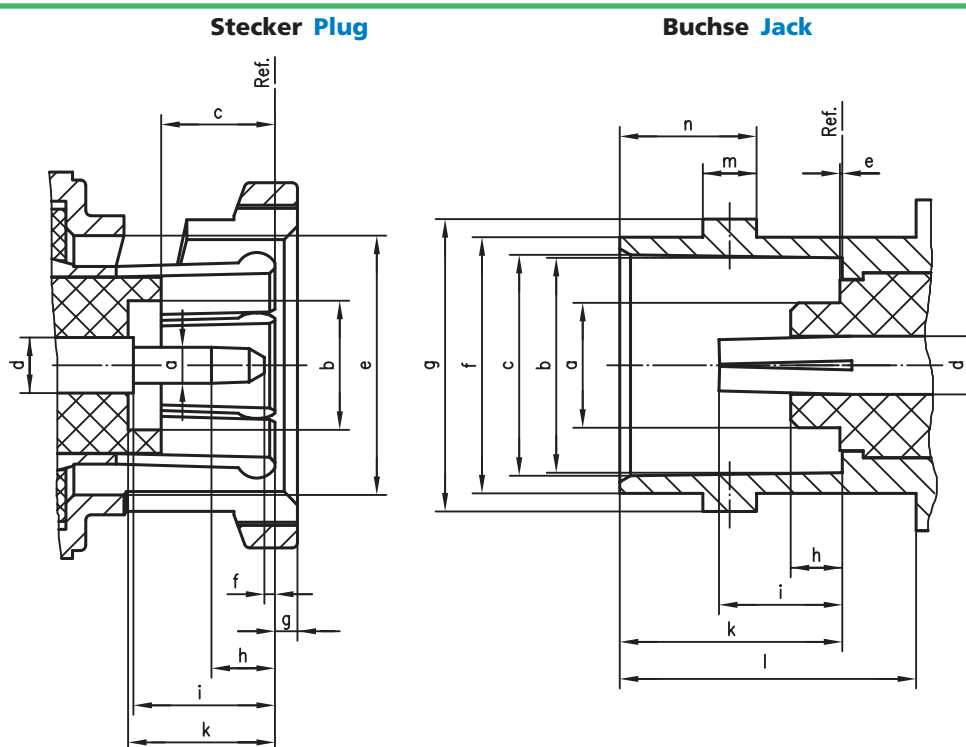
The return loss values listed above correspond to the IEC standard 60 169-8. This standard reflects solely minimum values. The actual electrical parameters of the individual connectors often surpass those of the IEC standard and are available on request.

## BNC-Steckgesicht 50 Ω BNC Mating Face 50 Ω



	Stecker Plug				Buchse Jack				
	mm		inch		mm		inch		
	min.	max.	min.	max.	min.	max.	min.	max.	
<b>a</b>	1.32	1.37	0.052	0.054	-	4.72	-	0.186	<b>a</b>
<b>b</b>	4.83	-	0.190	-	8.10	8.15	0.319	0.321	<b>b</b>
<b>c</b>	0.15	-	0.006	-	8.31	8.46	0.327	0.333	<b>c</b>
<b>d</b>	2.14	2.14	0.0842	0.0842	2.14	2.14	0.0842	0.0842	<b>d</b>
<b>e</b>	9.78	9.91	0.385	0.390	-	0.15	-	0.006	<b>e</b>
<b>f</b>	0.35	-	0.014	-	9.60	9.70	0.378	0.382	<b>f</b>
<b>g</b>	1.44	1.44	0.057	0.057	10.97	11.07	0.432	0.436	<b>g</b>
<b>h</b>	1.96	3.05	0.077	0.120	4.55	5.23	0.179	0.206	<b>h</b>
<b>i</b>	5.33	-	0.210	-	-	5.28	-	0.208	<b>i</b>
<b>k</b>	5.28	-	0.208	-	8.31	8.51	0.327	0.335	<b>k</b>
<b>l</b>					10.52	-	0.414	-	<b>l</b>
<b>m</b>					1.91	2.05	0.075	0.081	<b>m</b>
<b>n</b>					5.18	5.28	0.204	0.208	<b>n</b>

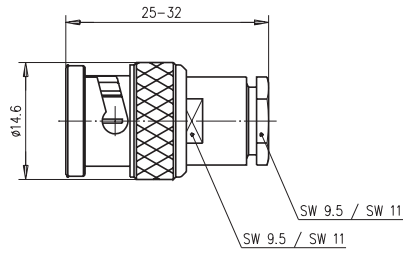
**BNC-Steckgesicht 75 Ω BNC Mating Face 75 Ω**



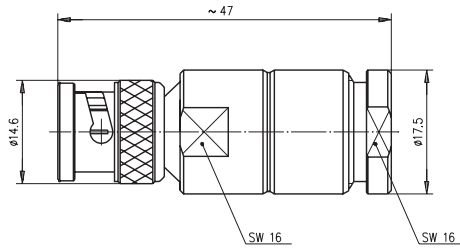
	Stecker Plug				Buchse Jack				
	mm		inch		mm		inch		
	min.	max.	min.	max.	min.	max.	min.	max.	
<b>a</b>	1.32	1.37	0.052	0.054	-	4.72	-	0.186	<b>a</b>
<b>b</b>	4.83	-	0.190	-	8.10	8.15	0.319	0.321	<b>b</b>
<b>c</b>	4.30	5.30	0.169	0.208	8.31	8.46	0.327	0.333	<b>c</b>
<b>d</b>	2.14	2.14	0.0842	0.0842	2.14	2.14	0.0842	0.0842	<b>d</b>
<b>e</b>	9.78	9.91	0.385	0.390	-	0.15	-	0.006	<b>e</b>
<b>f</b>	0.35	-	0.014	-	9.60	9.70	0.378	0.382	<b>f</b>
<b>g</b>	1.44	1.44	0.057	0.057	10.97	11.07	0.432	0.436	<b>g</b>
<b>h</b>	-	4.01	-	0.158	-	2.30	-	0.091	<b>h</b>
<b>i</b>	5.33	-	0.210	-	4.72	5.23	0.186	0.206	<b>i</b>
<b>k</b>	5.28	-	0.208	-	8.31	8.51	0.327	0.335	<b>k</b>
<b>l</b>					10.52	-	0.414	-	<b>l</b>
<b>m</b>					1.91	2.05	0.075	0.081	<b>m</b>
<b>n</b>					5.18	5.28	0.204	0.208	<b>n</b>

# 1 BNC-Kabelstecker

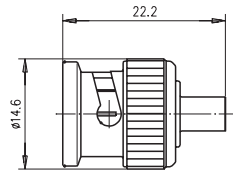
## BNC Straight Plug



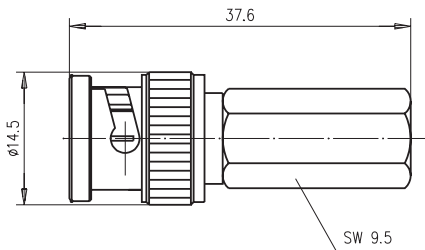
A



B



C



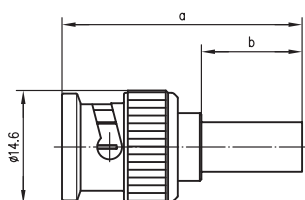
D

Bestell-Nr. Order Nr.	Abb. Fig.	MIL-Std. MIL-Std.	Z	Kabelgruppe; Kabel Cable group; cable	Montage Assembly	Anmerkungen Remarks
J01000A0606	A		50	G7 (RG-316/U)	A03	
J01000A0608	A	UG-88/U	50	G1 (RG-58C/U)	A01	Druckverschraubung <a href="#">pressure sleeve</a>
J01000B0608	A	UG-88C/U	50	G1 (RG-58C/U); G5 (RG-223/U); RG-141A/U; RG-142B/U	A02	MIL-Verschraubung <a href="#">MIL-clamp</a>
J01000F0608	A	UG-88/U	50	G1 (RG-58C/U)	A16	Druckverschraubung Low Cost <a href="#">pressure sleeve Low cost</a>
J01000A1321	A		50	G3 (RG-178B/U)	A03	
J01000A1940	B	UG-959/U	50	RG-213/U; RG-214/U; 9880 Belden	A05	
J01000A0026	C		50	G11(UT-85)	A17	
J01000A0027	C		50	G10 (UT-141)	A12	
J01002A0001	A		75	G27 (Belden 9248)	A02	
J01002A0609	A	UG-260/U	75	G2 (RG-59B/U)	A01	Druckverschraubung <a href="#">pressure sleeve</a>
J01002F0609	A	UG-260/U	75	G2 (RG-59B/U)	A16	Druckverschraubung Low Cost <a href="#">pressure sleeve Low cost</a>
J01002A1215	A	UG-260 A/U	75	G2 (RG-59B/U)	A02	MIL-Verschraubung <a href="#">MIL-clamp</a>
J01002A1216	A	UG-260 B/U	75	G2 (RG-59B/U); RG-71 B/U; RG-62A/U	A02	MIL-Verschraubung <a href="#">MIL-clamp</a>
J01002A1323	A		75	G4 (RG-179B/U)	A03	
J01002A1940	B		75	G31 (RG-11A/U); G32 (RG-216/U); 7731A BELDEN	A05	
J01002A0015	D		75	G2 (RG-59B/U)	A13	Twist on

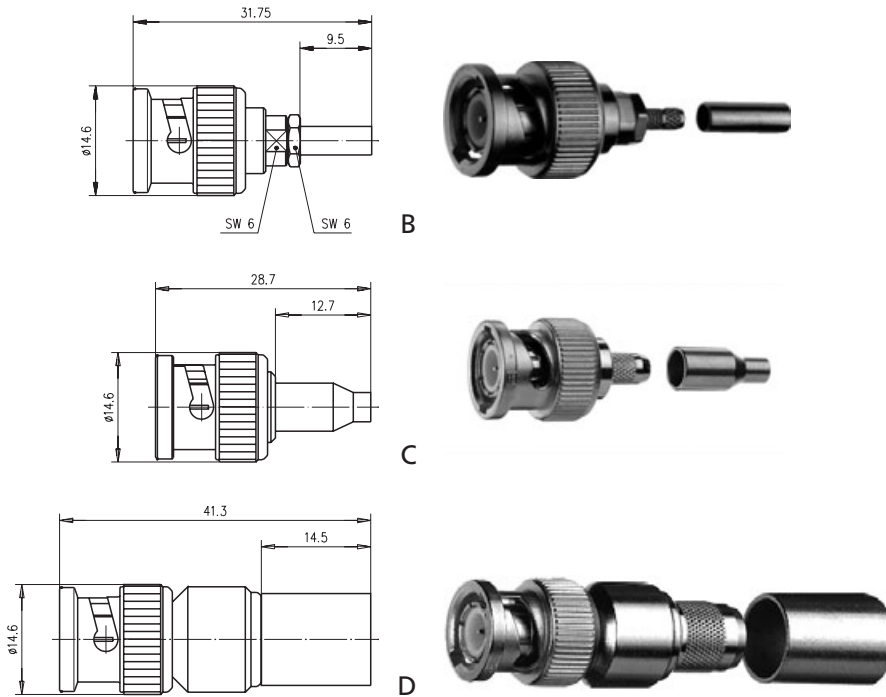
**2 BNC-Kabelstecker Crimp**

**BNC Straight Plug Crimp**

	Basic	Standard	Professional	MIL
<b>Mechanische Eigenschaften</b> <b>Mechanical Characteristics</b> Steckzyklen (Goldalage Innenleiter) Mating cycles (gold plating inner conductor)	100 (0.2 µm)	1000 (0.8 µm)		2000 (1.27 µm)
<b>Klimatische Eigenschaften</b> <b>Climatic Characteristics</b> Temperaturbereich (Werkstoffisolierung) Temperature range (material insulator)	-40/75 (PE-LD)		-65/165 (PTFE)	
<b>Werkstoffe</b> Materials Bajonethülse Bayonet (Coupling nut) Außenleiter Outer conductor Federscheibe Coupling spring  Innenleiter Inner conductor Crimprohr Crimp ferrule Isolierung Insulator	Zinkdruckguß zinc die casting Messing brass Kupferberyllium copper beryllium Kupferberyllium copper beryllium Kupfer copper siehe unter klimatische Eigenschaften see under climatic characteristics			Messing brass Messing brass Kupferberyllium copper beryllium Messing brass Kupfer copper PTFE PTFE
<b>Oberfläche</b> Plating Finish Bajonethülse Bayonet (Coupling nut) Außenleiter Outer conductor Innenleiter Inner conductor Crimprohr Crimp ferrule	Nickel nickel Nickel nickel Gold gold Nickel nickel			
<b>Elektrische Eigenschaften</b> <b>nach IEC 60 169-8</b> <b>Electrical Characteristics</b> <b>acc. to IEC 60 169-8</b> Durchgangswiderstand Contact resistance Innenleiter Inner conductor Außenleiter Outer conductor	im Neuzustand initial ≤ 0.9 m Ω ≤ 0.2 m Ω		nach IEC to IEC ≤ 20 m Ω ≤ 5 m Ω	
Isolationswiderstand Insulation resistance Spannungsfestigkeit Voltage proof Wellenwiderstand Impedance Betriebsspannung Working voltage Frequenzbereich Frequency range VSWR VSWR	≥ 5 G Ω 1.5 kV 50 Ω /75 Ω 500 V <sub>eff</sub> /50 Hz 4 GHz ≤1.25/1 GHz (50 Ω)			
<b>Kabelgruppe (Beispiel) / Kabel</b> <b>Cable group (example) / cable</b> G1 (RG-58C/U); YR23092 Belden G7 (RG-316/U); 0.45L/1.4 G2 (RG-59B/U) RG-62A/U G16 (0.6/3.7D) G4 (RG-179B/U)	<b>Sachnummer TG</b> <b>Part Numbers TG</b>			
	J01000L1255	J01000F1255	J01000A1255	J01000M1255
	J01000L1294	-	J01000A1294	-
	J01002L1288	J01002F1288	J01002A1288	J01002M1288
	J01002L1261	J01002F1261	J01002A1261	J01002M1261
	J01002L1352	J01002F1352	J01002A1352	J01002M1352
	J01002L5032	-	J01002A5032	-



A



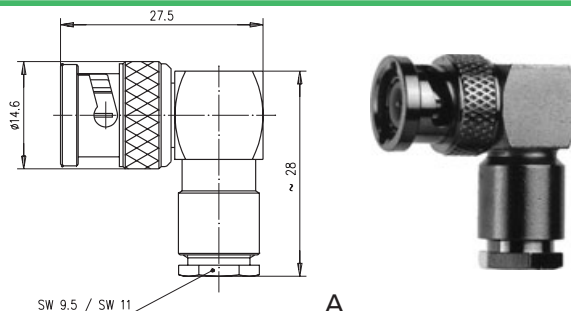
Bestell-Nr. Order Nr.	Abb. Fig.	MIL-Std. MIL-Std.	Z Z	Kabelgruppe; Kabel Cable group; cable	Montage Assembly	Anmerkungen Remarks	Abm. Dim.	Crimpeinsatz Crimp die
J01000A0042	A		50	G7 (RG-316/U)	A2616	crimp/crimp		N01001A0009
J01000A0043	A		50	G8 (RD-316)	A2620	crimp/crimp	a=29, b=9.5	N01001A0014
J01000A1255	A	UG-1785/U	50	G1 (RG-58C/U); YR23092 Belden	A0205	crimp/crimp Professional	a=31, b=13	N01001A0005
J01000F1255	A		50	G1 (RG-58C/U); YR23092 Belden	A0205	crimp/crimp Standard	a=31, b=13	N01001A0005
J01000L1255	A		50	G1 (RG-58C/U); YR23092 Belden	A2805	crimp/crimp Basic	a=28, b=13	N01001A0005
J01000M1255	A		50	G1 (RG-58C/U); YR23092 Belden	A0205	crimp/crimp MIL	a=31, b=13	N01001A0005
J01000A1256	A	UG-1786/U	50	G5 (RG-223/U)	A0205	crimp/crimp	a=31.5, b=13.5	N01001A0005
J01000A0049	A		50	G30 (TZC 500 25); H155 Pope; LMR-240; Low Loss 1.4/3.8	A0206	crimp/crimp Professional	a=31, b=13	N01001A0007
J01000A0008	A		50	RG142B/U	A0205	crimp/crimp	a=31.5, b=13.5	N01001A0005
J01000A0050	A		50	3D-2V	A0205	crimp/crimp Professional	a=31, b=13	N01001A0005
J01000B0018	B		50	G3 (RG-178B/U)	A2913	crimp/crimp		N01001A0010
J01000B0022	B		50	G8 (RD-316)	A2914	crimp/crimp		N01001A0014
J01000A1294	B		50	G7 (RG-316/U); G29 (0.45/1.4)	A2903	crimp/crimp Professional		N01001A0009
J01000D1293	B		50	G14 (0.5/2.0-4.6)	A3005	crimp/crimp		N01001A0005
J01000L1294	B		50	G7 (RG-316/U); G29 (0.45/1.4)	A2903	crimp/crimp Basic		N01001A0009
J01000A0016	C		50	1.5D-2V	A2505	crimp/crimp		N01001A0005
J01000A0040	C		50	G7 (RG-316/U)	A2505	crimp/crimp		N01001A0005
J01000A0038	D		50	RG 213/U	A2212	crimp/crimp		N01001D1274
J01000A0039	D		50	RG 214/U; RG 393/U	A2212	crimp/crimp		N01001D1274
J01002A0000	A		75	G27 (9248 Belden)	A0207	crimp/crimp	a=31, b=13	N01001A0004
J01002A0002	A		75	1.0/6.6	A0210	crimp/crimp	a=31, b=13	N01001I1274
J01002A0013	A		75	G17 (0.8/4.9 DZ)	A0208	crimp/crimp	a=31, b=13	N01001J1274
J01002A0028	A		75	BT 2002	A0205	crimp/crimp	a=31, b=13	N01001A0005
J01002A0030	A		75	G41 (0.6/2.8-4.7)	A0205	crimp/crimp	a=31, b=13	N01001A0005
J01002A0040	A		75	02YS12YC(MS) C6Y 0.45/2.0-3.8 Leoni; 2YCCY 0.4/2.5-4.5	A0204	crimp/crimp	a=31, b=13	N01001L1274
J01002A1261	A		75	RG 62 A/U	A0306	crimp/crimp Professional	a=31, b=13	N01001A0007

Bestell-Nr. Order Nr.	Abb. Fig.	MIL-Std. MIL-Std.	Z Z	Kabelgruppe; Kabel Cable group; cable	Montage Assembly	Anmerkungen Remarks	Abm. Dim.	Crimpeinsatz Crimp die
J01002F1261	A		75	RG 62 A/U	A0306	crimp/crimp Standard	a=31, b=13	N01001A0007
J01002L1261	A		75	RG 62 A/U	A2706	crimp/crimp Basic	a=28, b=13	N01001A0007
J01002M1261	A		75	RG 62 A/U	A0306	crimp/crimp MIL	a=31, b=13	N01001A0007
J01002A1288	A	UG-1789/U	75	G2 (RG-59 B/U)	A0206	crimp/crimp Professional	a=31, b=13	N01001A0007
J01002F1288	A		75	G2 (RG-59 B/U)	A0206	crimp/crimp Standard	a=31, b=13	N01001A0007
J01002L1288	A		75	G2 (RG-59 B/U)	A2806	crimp/crimp Basic	a=28, b=13	N01001A0007
J01002M1288	A		75	G2 (RG-59 B/U)	A0206	crimp/crimp MIL	a=31, b=13	N01001A0007
J01002A1352	A		75	G16 (0.6/3.7D)	A0206	crimp/crimp Professional	a=31, b=13	N01001A0007
J01002F1352	A		75	G16 (0.6/3.7D)	A0206	crimp/crimp Standard	a=31, b=13	N01001A0007
J01002L1352	A		75	G16 (0.6/3.7D)	A2806	crimp/crimp Basic	a=28, b=13	N01001A0007
J01002M1352	A		75	G16 (0.6/3.7D)	A0206	crimp/crimp MIL	a=31, b=13	N01001A0007
J01002A0034	A		75	G4 (RG-179B/U)	A2616	crimp/crimp	a=30.5, b=11	N01001A0009
J01002A0031	A		75	G35 (0.8/3.7-7.3)	A0208	crimp/crimp	a=31.5, b=13.5	N01001J1274
J01002A1350	A		75	G13 (0.4/2.5) *)	A0204	crimp/crimp	a=31, b=13	N01001L1274
J01002B1352	A		75	RG-71B/U	A0306	crimp/crimp	a=31, b=13	N01001A0007
J01002A0010	A		75	G40 (1.2/4.9)	A0207	crimp/crimp	a=31, b=13	N01001A0004
J01002A0016	A		75	G39 (0.8/3.7-6.15)	A0206	crimp/crimp Standard		N01001A0007
J01002A0018	A		75	G41 (0.6/2.8-4.7)	A3227	crimp/crimp HDTV/DTV $\geq 23$ dB/3 GHz	a=31, b=13	N01001A0039
J01002A0019	A		75	G15 (0.5/2.95)	A0205	crimp/crimp Professional	a=31, b=13	N01001A0005
J01002A5032	B		75	G4 (RG-179B/U)	A2903	crimp/crimp Professional		N01001A0009
J01002L5032	B		75	G4 (RG-179B/U)	A2903	crimp/crimp Basic		N01001A0009
J01002B0037	B		75	G12 (0.315/1.95-3.7)	A3004	crimp/crimp		N01001L1274
J01002B0026	B		75	G19 (PSF 1/7M)	A2903	crimp/crimp		N01001A0009
J01002A0036	C		75	G4 (RG-179B/U)	A2505	crimp/crimp		N01001A0005
J01002M0036	C		75	G4 (RG-179B/U)	A2505	crimp/crimp		N01001A0005
J01002A1289	D		75	G31 (RG-11A/U)	A2218	crimp/crimp		N01001A0011
J01002A0007	D		75	G32 (RG-216/U)	A2218	crimp/crimp		N01001A0011

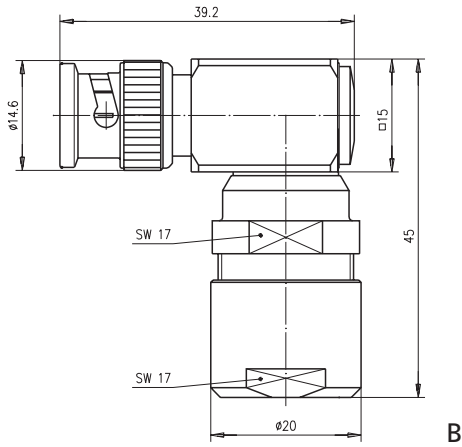
\*) Stecker auch passend für folgende Kabel: 02YS (ST) CH 0.45/2.0-3.4 Leoni; 02Y (ST) CH 0.45/2.0-3.4 Bedea; 02Y (ST) CY 0.45/2.0-3.4 Siemens; 2.5C-2V; NCX1 391300 0.53/2.45-3.6 Filotex; RG-180B/U; RG-195A/U

\*) Plug also suitable for the following cables: 02YS (ST) CH 0.45/2.0-3.4 Leoni; 02Y (ST) CH 0.45/2.0-3.4 Bedea; 02Y (ST) CY 0.45/2.0-3.4 Siemens; 2.5C-2V; NCX1 391300 0.53/2.45-3.6 Filotex; RG-180B/U; RG-195A/U

### 3 BNC-Kabelwinkelstecker BNC Angle Plug

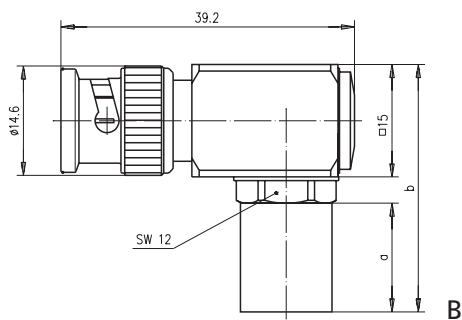
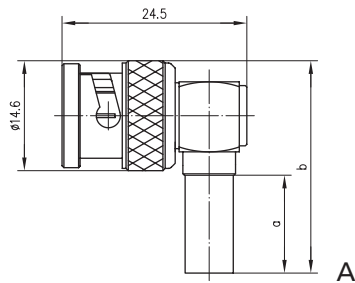


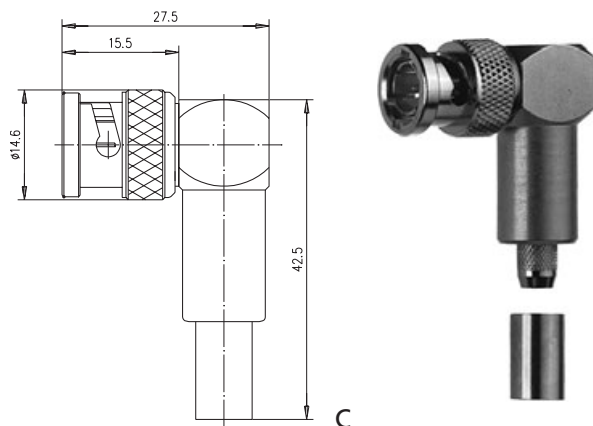




Bestell-Nr. Order Nr.	Abb. Fig.	MIL-Std. MIL-Std.	Z	Kabelgruppe; Kabel Cable group; cable	Montage Assembly	Anmerkungen Remarks
J01000A0005	A		50	G3 (RG-178B/U)	A07	
J01000A0006	A		50	G7 (RG-316/U)	A07	
J01000A0007	A		50	G1 (RG-58C/U); G5 (RG-223/U) RG-141A/U; RG-142B/U	A06	MIL-Verschraubung MIL-clamp
J01000A0805	A	UG-913/U	50	G1 (RG-58C/U)	A06	Druckverschraubung pressure sleeve
J01000A0029	B		50	RG-214/U; RG-216/U; RG-393/U	D04	
J01000A1195	B		50	G42 (2.7/7.1); RG-213/U; AA 5886	D04	
J01002A0003	A		75	G2 (RG-59B/U)	A06	MIL-Verschraubung MIL-clamp
J01002A1217	A		75	G2 (RG-59B/U)	A06	Druckverschraubung pressure sleeve
J01002A1316	A		75	RG-62A/U	A06	Druckverschraubung pressure sleeve

## 4 BNC-Kabelwinkelstecker Crimp BNC Angle Plug Crimp



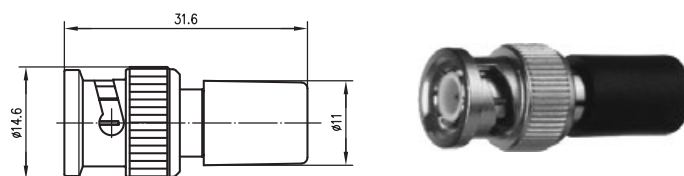


Bestell-Nr. Order Nr.	Abb. Fig.	Z	Kabelgruppe; Kabel Cable group; cable	Montage Assembly	Anmerkungen Remarks	Abmessungen Dimensions	Crimpeinsatz Crimp die
J01000A0010	A	50	G7 (RG-316/U)	A0503	löt/crimp solder/crimp	a=9.5, b=24.7	N01001A0009
J01000A1257	A	50	G1 (RG-58C/U)	A0505	löt/crimp solder/crimp	a=13, b=28.2	N01001A0005
J01000A1258	A	50	G5 (RG-223/U)	A0505	löt/crimp solder/crimp	a=13.5, b=28.7	N01001A0005
J01000A0033	A	50	G8 (RD-316)	A0520	löt/crimp solder/crimp	a=9.5, b=24.7	N01001A0014
J01000A0054	A	50	G30 (TZA 500 25); H 155 Pope; LMR-240; LowLoss 1.4/3.8	A0506	löt/crimp solder/crimp	a=13, b=28.2	N01001A0007
J01000A0052	A	50	3D-2V	A0505	löt/crimp solder/crimp	a=13, b=28.2	N01001A0005
J01000A0030	B	50	G42 (2.7/7.1); RG-213/U; AA 5886	D0512	löt/crimp solder/crimp	a=14.5, b=33	N01001D1274
J01000A0031	B	50	RG-214/U; RG-393/U	D0512	löt/crimp solder/crimp	a=13, b=31.5	N01001D1274
J01000A0024	C	50	G1 (RG-58C/U)	A0605	crimp/crimp		N01001A0005
J01002A0027	A	75	G4 (RG-179B/U)	A0503	löt/crimp solder/crimp	a=9.5, b=24.7	N01001A0009
J01002A0029	A	75	G13 (0.4/2.5) *	A0504	löt/crimp solder/crimp	a=13, b=28.2	N01001L1274
J01002A1356	A	75	G2 (RG-59B/U)	A0506	löt/crimp solder/crimp	a=13, b=28.2	N01001A0007
J01002B1356	A	75	G2 (RG-59B/U)	A0506	löt/crimp mit Schraubkappe solder/crimp with screw cap	a=13, b=28.2	N01001A0007
J01002A0042	A	75	G12 (0.315/1.95-3.7)	A0504	löt/crimp solder/crimp	a=13, b=28.2	N01001L1274
J01002A0045	A	75	BT 2002	A0505	löt/crimp solder/crimp	a=13, b=28.2	N01001A0005
J01002A0021	A	75	G15 (0.5/2.95)	A0505	löt/crimp solder/crimp	a=13, b=28.2	N01001A0005
J01002A1266	C	75	RG-62A/U	A0706	crimp/crimp		N01001A0007
J01002A1354	C	75	G16 (0.6/3.7D)	A0606	crimp/crimp		N01001A0007
J01002A1377	C	75	G2 (RG-59B/U)	A0606	crimp/crimp		N01001A0007

\*) Stecker auch passend für folgende Kabel: 02YS (ST) CH 0.45/2.0-3.4 Leoni; 02Y (ST) CH 0.45/2.0-3.4 Bedea; 02Y (ST) CY 0.45/2.0-3.4 Siemens; 2.5C-2V; NCX1 391300 0.53/2.45-3.6 Filotex; RG-180B/U; RG-195A/U

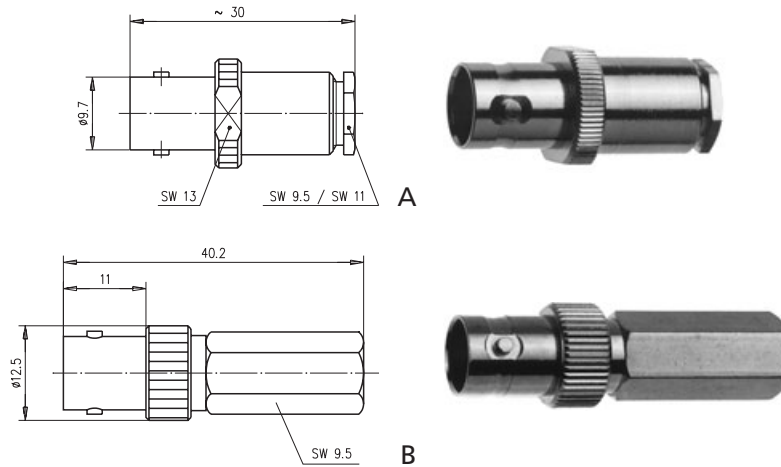
\*) Plug also suitable for the following cables: 02YS (ST) CH 0.45/2.0-3.4 Leoni; 02Y (ST) CH 0.45/2.0-3.4 Bedea; 02Y (ST) CY 0.45/2.0-3.4 Siemens; 2.5C-2V; NCX1 391300 0.53/2.45-3.6 Filotex; RG-180B/U; RG-195A/U

## 5 BNC-Abschlusswiderstandsstecker BNC Termination Plug



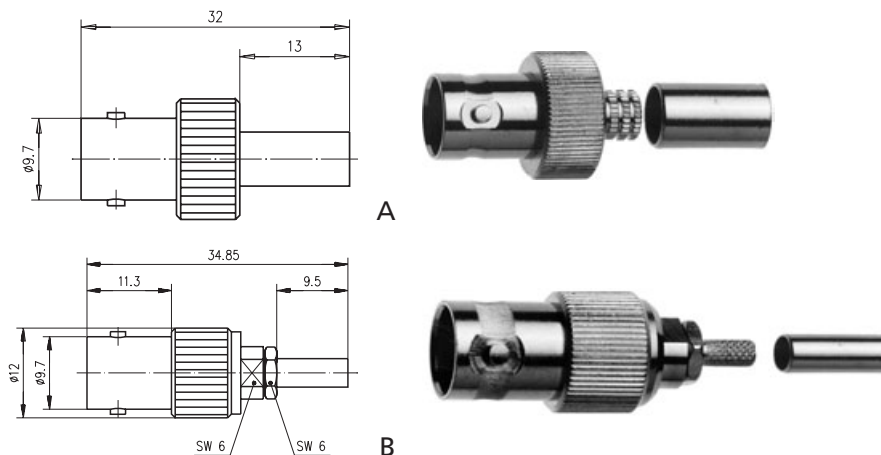
Bestell-Nr. Order Nr.	Z	Technische Daten Technical Information	Anmerkungen Remarks
J01006A1268	50	0.5 W 100 MHz ≥ 20 dB	1%
J01006A0001	75	0.5 W 100 MHz ≥ 20 dB	0.1% Video RGB; Kennzeichnung grün 0.1% Video RGB; green indicator
J01006A1269	75	0.5 W 100 MHz ≥ 20 dB	1%
J01006A1373	93	0.5 W 100 MHz ≥ 20 dB	1%

## 6 BNC-Kabelbuchse BNC Straight Jack



Bestell-Nr. Order Nr.	Abb. Fig.	MIL-Std. MIL-Std.	Z Z	Kabelgruppe; Kabel Cable group; cable	Montage Assembly	Anmerkungen Remarks
J01001A0032	A		50	G7 (RG-316/U)	A09	
J01001A0033	A		50	G3 (RG-178B/U)	A09	
J01001A0804	A	UG-89/U	50	G1 (RG-58C/U)	A08	
J01001A1226	A	UG-89B/U	50	G1 (RG-58C/U); G5 (RG-223/U); RG-141A/U; RG-142B/U	A10	MIL-Verschraubung MIL-clamp
J01003A0011	A	UG-261B/U	75	G2 (RG-59B/U)	A10	MIL-Verschraubung MIL-clamp
J01003A0014	A		75	G4 (RG-179B/U)	A09	
J01003A1227	A	UG-261/U	75	G2 (RG-59B/U)	A08	
J01003A1320	A		75	RG-62A/U	A10	MIL-Verschraubung MIL-clamp
J01003A0020	B		75	G2 (RG-59B/U); RG-62A/U	A13	Twist on

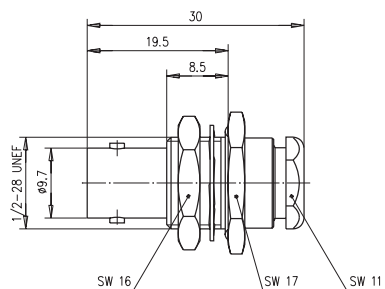
## 7 BNC-Kabelbuchse Crimp BNC Straight Jack Crimp



Bestell-Nr. Order Nr.	Abb. Fig.	MIL-Std. MIL-Std.	Z Z	Kabelgruppe; Kabel Cable group; cable	Montage Assembly	Anmerkungen Remarks	Crimpeinsatz Crimp die
J01001A1265	A	UG-1794/U	50	G1 (RG-58C/U)	A0805	crimp/crimp	N01001A0005
J01001A1287	A		50	G5 (RG-223/U)	A0805	crimp/crimp	N01001A0005
J01001A0073	A		50	G30 (TZC 500 25); H 155 Pope; LMR-240; Low Loss 1.4/3.8	A0806	crimp/crimp	N01001A0007
J01001B0005	B		50	G7 (RG-316/U)	A2903	crimp/crimp	N01001A0009
J01001B0060	B		50	G3 (RG-178B/U)	A2913	crimp/crimp	N01001A0010
J01001B0061	B		50	G8 (RD-316)	A2914	crimp/crimp	N01001A0014
J01003A1262	A		75	RG-62A/U	A0906	crimp/crimp	N01001A0007
J01003A1353	A		75	G16 (0.6/3.7D)	A0806	crimp/crimp	N01001A0007
J01003A1369	A		75	G2 (RG-59B/U)	A0806	crimp/crimp	N01001A0007

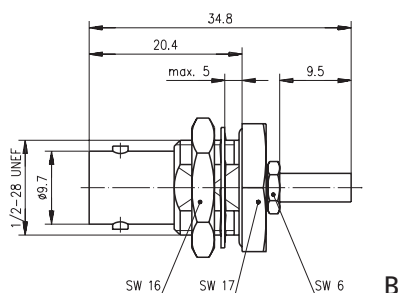
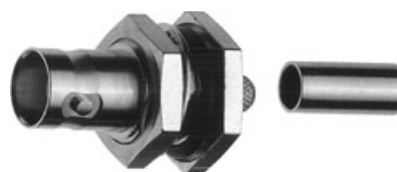
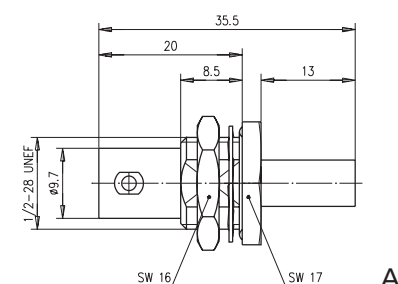
Bestell-Nr. Order Nr.	Abb. Fig.	MIL-Std. MIL-Std.	Z Z	Kabelgruppe; Kabel Cable group; cable	Montage Assembly	Anmerkungen Remarks	Crimpeinsatz Crimp die
J01003A0031	A		75	G13 (0.4/2.5)	A0804	crimp/crimp	
J01003B0021	B		75	G4 (RG-179B/U)	A2903	crimp/crimp	N01001A0009
J01003A0041	B		75	G12 (0.315/1.95-3.7)	A2904	crimp/crimp	N01001L1274

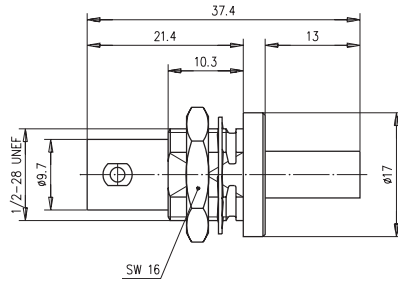
## 8 BNC-Kabeleinbaubuchse BNC Bulkhead Jack



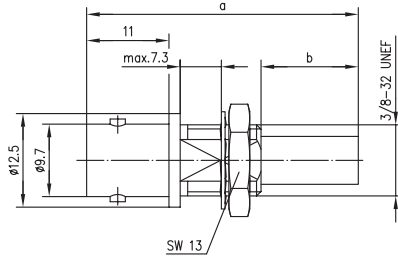
Bestell-Nr. Order Nr.	MIL-Std. MIL-Std.	Z Z	Kabelgruppe; Kabel Cable group; cable	Montage Assembly	Anmerkungen Remarks	Einbaumaß Mount. dim.
J01001A0051		50	G11 (UT-85)	A15	MIL-Verschraubung; IP 54 MIL-clamp; IP 54	Z04
J01001A0052		50	G10 (UT-141)	A15	MIL-Verschraubung; IP 54 MIL-clamp; IP 54	Z04
J01001A1223	UG-909/U	50	G1 (RG-58C/U); G5 (RG-223/U); RG-141A/U; RG-142B/U	A11	MIL-Verschraubung; IP 54 MIL-clamp; IP 54	Z04
J01001A1318		50	G7 (RG-316/U)	A04	IP 54	Z04
J01001A1319		50	G3 (RG-178B/U)	A04	IP 54	Z04
J01003A1224	UG-910 B/U	75	G2 (RG-59B/U)	A11	MIL-Verschraubung; IP 54 MIL-clamp; IP 54	Z04
J01003A1327		75	G4 (RG-179B/U)	A04	IP 54	Z04
J01003A1328		75	RG-62A/U; RG-71B/U	A11	IP 54	Z04
B00031D1275	passende Isolierscheiben für isolierten Einbau u suitable insulation washers for insulated mounting					

## 9 BNC-Kabeleinbaubuchse Crimp BNC Bulkhead Jack Crimp





C



D

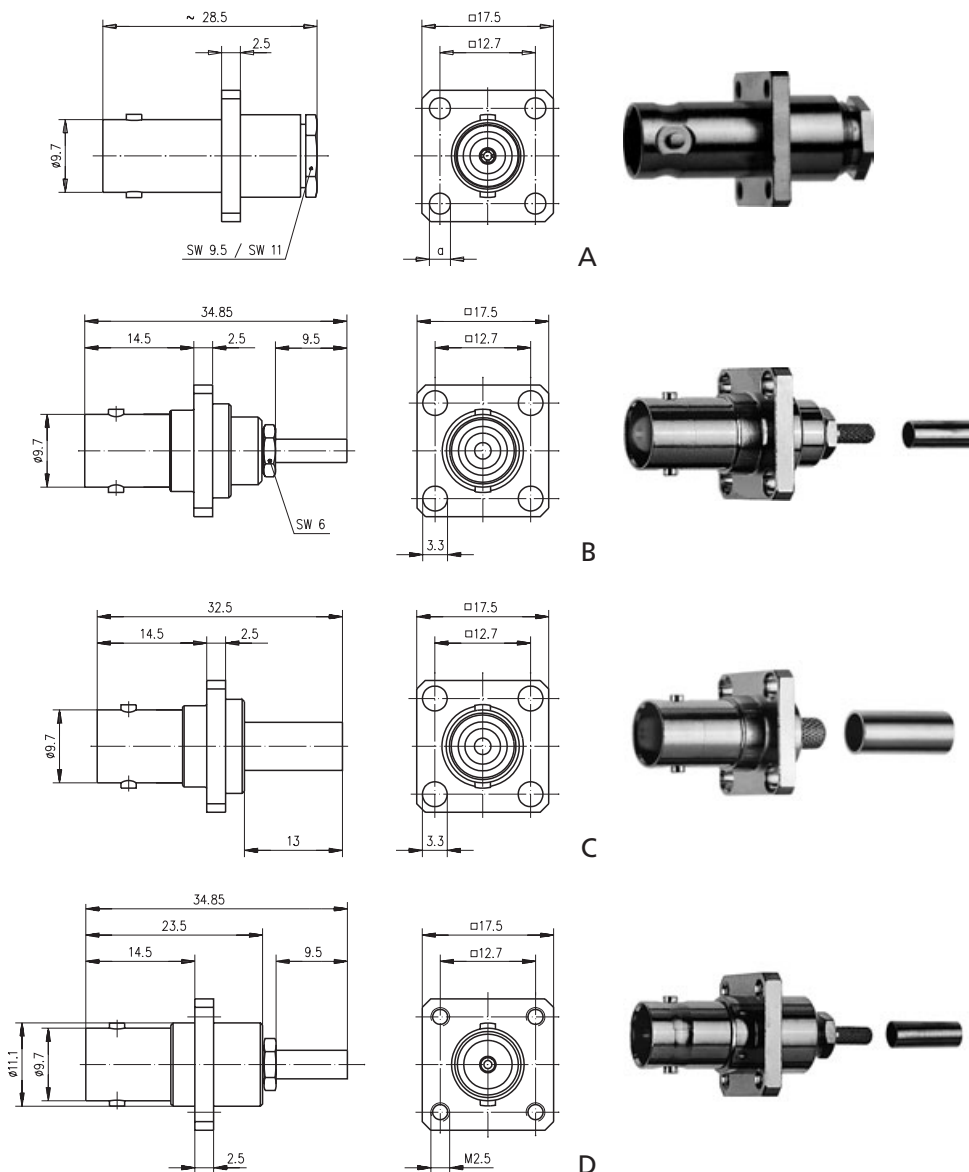


Bestell-Nr. Order Nr.	Abb. Fig.	Z Z	Kabelgruppe; Kabel Cable group; cable	Montage Assembly	Einbaumaß Mount. dim.	Anmerkungen Remarks	Abm. Dim.	Crimpeinsatz Crimp die
J01001A0034	A	50	G5 (RG-223/U)	A1105	Z04	crimp/crimp		N01001A0005
J01001A1379	A	50	G1 (RG-58C/U)	A1105	Z04	crimp/crimp		N01001A0005
J01001A0087	A	50	3D-2V	A1105	Z04	crimp/crimp		N01001A0005
J01001C0028	B	50	G7 (RG-316/U)	A2903	Z04	crimp/crimp		N01001A0009
J01001C0045	B	50	G8 (RD-316)	A2914	Z04	crimp/crimp		N01001A0009
J01001B0059	B	50	G3 (RG-178B/U)	A2913	Z04	crimp/crimp		N01001A0010
J01001A0084	C	50	G5 (RG-223/U)	A1305	Z04	crimp/crimp; Isolierflansch insulating flange		N01001A0005
J01001A0056	C	50	G1 (RG-58C/U)	A1305	Z04	crimp/crimp; Isolierflansch insulating flange		N01001A0005
J01001A0078	D	50	G1 (RG-58C/U)	A1305	Z01	crimp/crimp	a=36.3, b=13	N01001A0005
J01001A0083	D	50	G5 (RG-223/U)	A1305	Z01	crimp/crimp	a=36.8, b=13.5	N01001A0005
J01003A0035	A	75	G13 (0.4/2.5) *)	A1104	Z04	crimp/crimp		N01001L1274
J01003A1260	A	75	RG-62A/U	A1206	Z04	crimp/crimp		N01001A0007
J01003A1348	A	75	G2 (RG-59B/U)	A1106	Z04	crimp/crimp		N01001A0007
J01003A1361	A	75	G16 (0.6/3.7D)	A1106	Z04	crimp/crimp		N01001A0007
J01003A0042	A	75	BT 2002	A1105	Z04	crimp/crimp		N01001A0005
J01003B5032	B	75	G4 (RG-179B/U)	A2903	Z04	crimp/crimp		N01001A0009
J01003B0015	B	75	G12 (0.315/1.95-3.7)	A2904	Z04	crimp/crimp		N01001L1274
J01003A0001	C	75	G2 (RG-59B/U)	A1306	Z04	crimp/crimp; Isolierflansch insulating flange		N01001A0007
J01003A0002	C	75	RG-62A/U	A1406	Z04	crimp/crimp; Isolierflansch insulating flange		N01001A0007
J01003A0003	C	75	G16 (0.6/3.7D)	A1306	Z04	crimp/crimp; Isolierflansch insulating flange		N01001A0007
B00031D1275	passende Isolierscheiben für isolierten Einbau suitable insulation washers for insulated mounting							

\*) Stecker auch passend für folgende Kabel: 02YS (ST) CH 0.45/2.0-3.4 Leoni; 02Y (ST) CH 0.45/2.0-3.4 Bedea; 02Y (ST) CY 0.45/2.0-3.4 Siemens; 2.5C-2V; NCX1 391300 0.53/2.45-3.6 Filotex; RG-180B/U; RG-195A/U

\*) Plug also suitable for the following cables: 02YS (ST) CH 0.45/2.0-3.4 Leoni; 02Y (ST) CH 0.45/2.0-3.4 Bedea; 02Y (ST) CY 0.45/2.0-3.4 Siemens; 2.5C-2V; NCX1 391300 0.53/2.45-3.6 Filotex; RG-180B/U; RG-195A/U

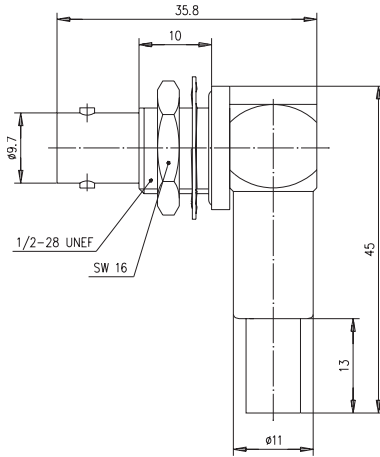
## 10 BNC-Kabeleinbaubuchse mit Flansch BNC Panel Jack



Bestell-Nr Order Nr.	Abb Fig.	Z Z	Kabelgruppe; Kabel Cable group; cable	Montage Assembly	Einbaumaß Mount. dim.	Anmerkung Remarks	Abmess. Dimensions	Crimpeinsatz Crimp die
J01001A0014	A	50	G7 (RG-316/U)	A09	Z05	IP 54	a=Ø2.8	
J01001A0035	A	50	G7 (RG-316/U)	A09	Z05	IP 54	a=3-56"=M2.5	
J01001A0036	A	50	G3 (RG-178B/U)	A09	Z05	IP 54	a=3-56"=M2.5	
J01001A0611	A	50	G1 (RG-58C/U); G5 (RG-223/U)	A10	Z05	MIL-Std. UG-291B/U; MIL-Versch.; IP 54 MIL-Std. UG-291B/U; MIL clamp; IP 54	a=3-56"=M2.5	
J01001B0611	A	50	G1 (RG-58C/U)	A10	Z05	MIL-Std. UG-291/U; Druckversch.; IP 54 MIL-Std. UG-291/U; pressure sleeve; IP 54	a=3-56"=M2.5	
J01001A0695	A	50	G1 (RG-58C/U)	A10	Z05	Druckversch.; IP 54 pressure sleeve; IP 54	a=Ø3.2	
J01001B0041	B	50	G7 (RG-316/U)	A2903	Z54			N01001A0009
J01001A0079	C	50	G1 (RG-58C/U)	A1005	Z54			N01001A0005
J01001A0080	C	50	G5 (RG-223/U)	A1005	Z54			N01001A0005
J01001A0088	D	50	G7 (RG-316/U)	A2903	Z05 Z54		a=3-56"=M2.5	N01001A0009

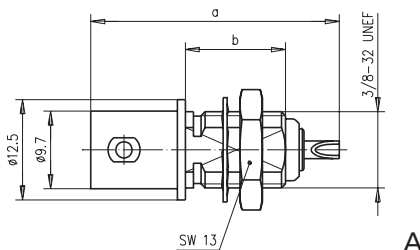
Bestell-Nr. Order Nr.	Abb Fig.	Z Z	Kabelgruppe; Kabel Cable group; cable	Montage Assembly	Einbaumaß Mount. dim.	Anmerkung Remarks	Abmess. Dimensions	Crimpeinsatz Crimp die
J01003A0012	A	75	G2 (RG-59B/U); RG-62A/U	A10	Z05	MIL-Std. UG-262B/U; MIL-Verschr.; IP 54 MIL clamp; IP 54	a=3-56"=M2.5	
J01003A0013	A	75	G4 (RG-179B/U)	A09	Z05	IP 54	a=3-56"=M2.5	
J01003B0019	B	75	G4 (RG-179B/U)	A2903	Z54			N01001A0009
J01003B0029	D	75	G4 (RG-179B/U)	A2903	Z05			N01001A0009

## 11 BNC-Kabelwinkeleinbaubuchse Crimp BNC Angle Bulkhead Jack Crimp

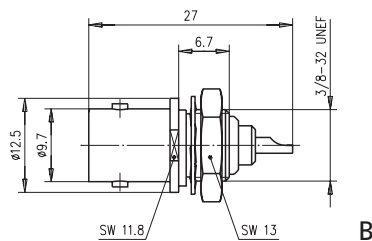


Bestell-Nr. Order Nr.	Z Z	Kabelgruppe; Kabel Cable group; cable	Montage Assembly	Einbaumaß Mount. dim.	Crimpeinsatz Crimp die
J01001A0055	50	G1 (RG-58C/U)	A0605	Z04	N01001A0005
J01001A0085	50	G5 (RG-223/U)	A0605	Z04	N01001A0005
J01003A1370	75	RG-62A/U	A0706	Z04	N01001A0007
J01003A0036	75	G16 (0.6/3.7 D)	A0705	Z04	
J01003A1371	75	G2 (RG-59B/U)	A0706	Z04	N01001A0007
B00031D1275		passende Isolierscheiben für isolierten Einbau suitable insulation washers for insulated mounting			

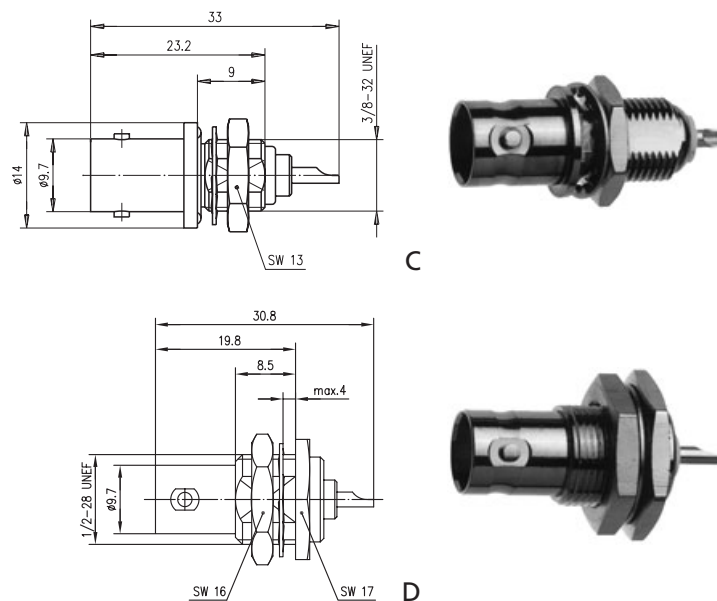
## 12 BNC-Einbaubuchse BNC Bulkhead Socket



A

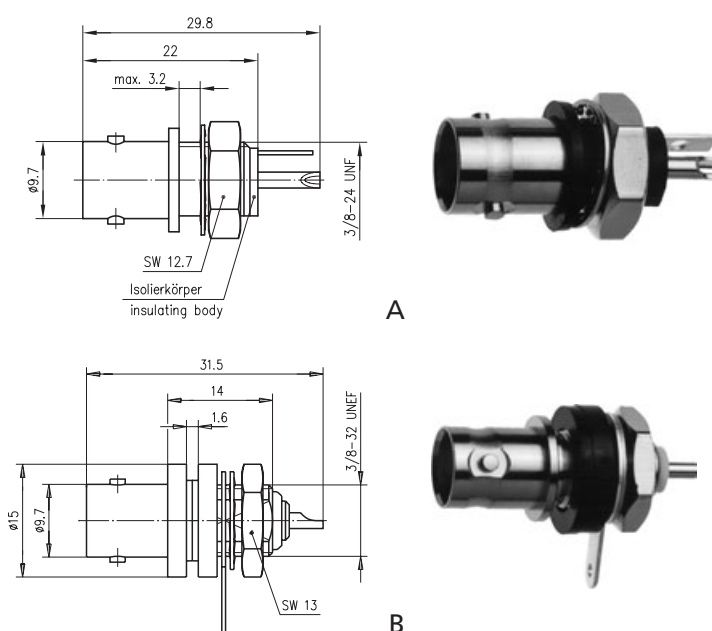


B



Bestell-Nr. Order Nr.	Abb. Fig.	MIL-Std. MIL-Std.	Z Z	Einbaumaß Mount. dim.	Anmerkungen Remarks	Abmessungen Dimensions
J01001A0615	A	UG-1094B/U	50	Z01		a=31, b=12.5
J01001B0615	A	UG-1094/U	50	Z01	Innenleiter versilbert <b>pin silver plated</b>	a=27, b=6.5
J01001A0053	A		50	Z01	Innenleiter vergoldet <b>pin gold plated</b>	a=27, b=6.5
J01001A1219	B	UG-625B/U	50	Z03		
J01001A0614	C	UG-657/U	50	Z02	mit Dichtring <b>with panel seal</b>	
J01001A1225	D		50	Z04		
J01003A0619	A		75	Z01		a=27, b=6.5
J01003A1218	A		75	Z01		a=31, b=12.5
J01003A1220	B		75	Z03		
J01003A1221	C		75	Z02	mit Dichtring <b>with panel seal</b>	
J01003A0027	D		75	Z04		

### 13 BNC-Einbaubuchse, isoliert BNC Bulkhead Socket, insulated

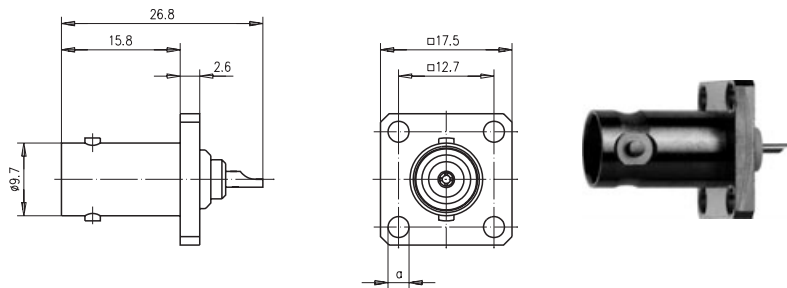


Bestell-Nr. Order Nr.	Abb. Fig.	Z Z	Einbaumaß Mount. dim.	Anmerkungen Remarks
J01001A0043	A	75	Z01	mit Isolierflansch weiß <b>with white insulating flange</b>



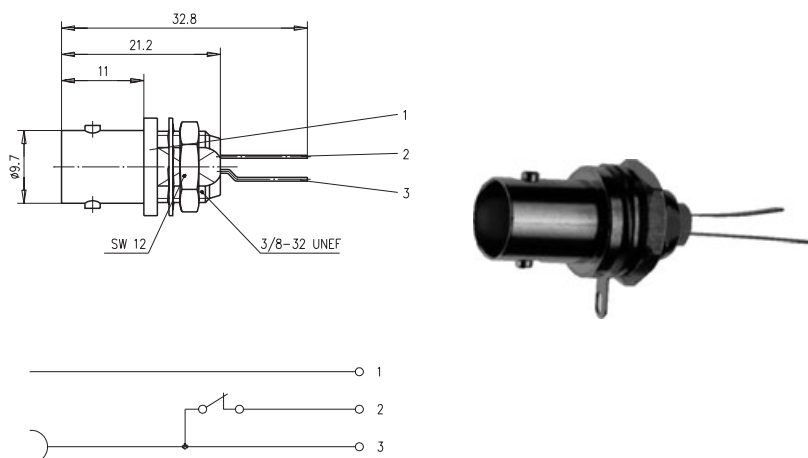
Bestell-Nr. Order Nr.	Abb. Fig.	Z Z	Einbaumaß Mount. dim.	Anmerkungen Remarks
J01001B0043	A	50	Z01	mit Isolierflansch blau with blue insulating flange
J01001C0043	A	50	Z01	mit Isolierflansch rot with red insulating flange
J01001D0043	A	50	Z01	mit Isolierflansch schwarz with black insulating flange
J01001A1222	B	50	Z03	mit Isolierscheiben schwarz with black insulating washers
J01001B1222	B	50	Z03	mit Isolierscheiben weiß with white insulating washers
J01001C1222	B	50	Z03	mit Isolierscheiben rot with red insulating washers
J01001D1222	B	50	Z03	mit Isolierscheiben blau with blue insulating washers
J01001F1222	B	50	Z03	mit Isolierscheiben grün with green insulating washers
J01003A1286	B	75	Z03	mit Isolierscheiben schwarz with black insulating washers
J01003B1286	B	75	Z03	mit Isolierscheiben weiß with white insulating washers
J01003C1286	B	75	Z03	mit Isolierscheiben rot with red insulating washers
J01003D1286	B	75	Z03	mit Isolierscheiben blau with blue insulating washers
J01003E1286	B	75	Z03	mit Isolierscheiben grün with green insulating washers

## 14 BNC-Einbaubuchse mit Flansch BNC Panel Socket



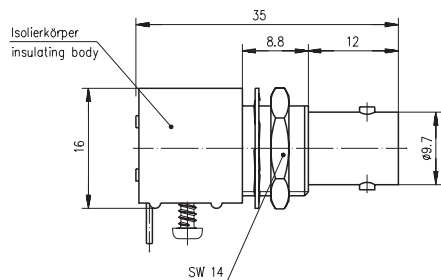
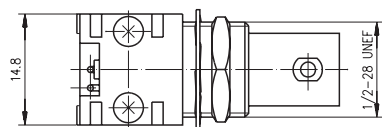
Bestell-Nr. Order Nr.	MIL-Std. MIL-Std.	Z Z	Einbaumaß Mount. dim.	Abmessungen Dimensions
J01001A0612		50	Z05	a=ø2.8
J01001A0613	UG-290/U	50	Z05	a=3-56" = M 2.5
J01001A0698		50	Z05	a=ø3.2
J01003A1228		75	Z05	a=3-56" = M 2.5
J01003A1937		75	Z05	a=ø3.2

## 15 BNC-Einbaubuchse mit Schalter BNC Bulkhead Receptacle with Switch

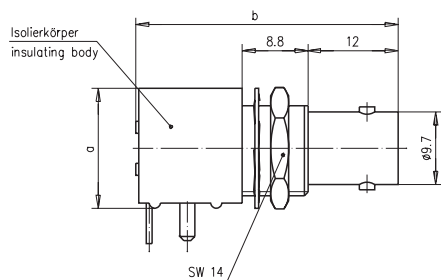
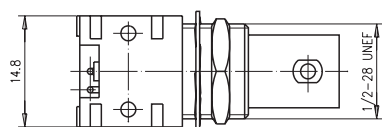


Bestell-Nr. Order Nr.	Einbaumaß Mount. dim.	Anmerkungen Remarks
J01001A0042	Z01/Z57	Öffner wird durch Stecken betätigt break contact operates through mating

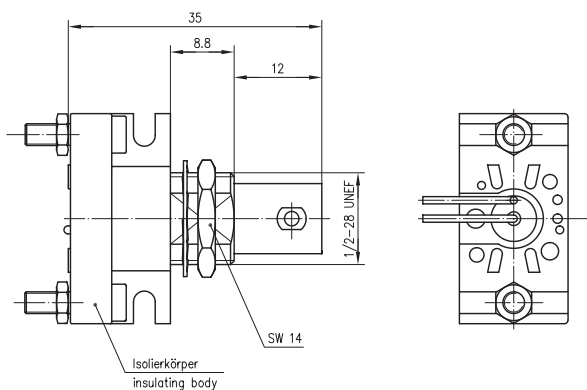
**16 BNC-Einbaubuchse für gedruckte Schaltungen, isolierter Einbau**  
**BNC Bulkhead Receptacle, insulated for Printed Circuits**



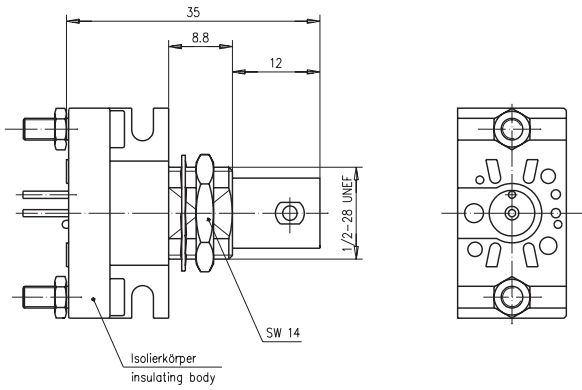
A



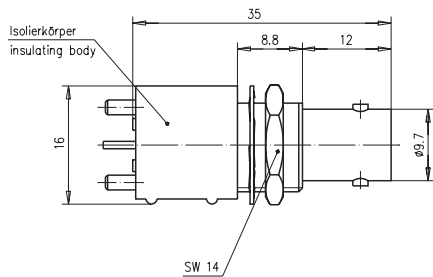
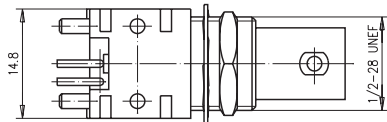
B



C



D

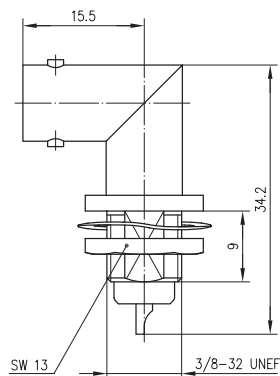


E



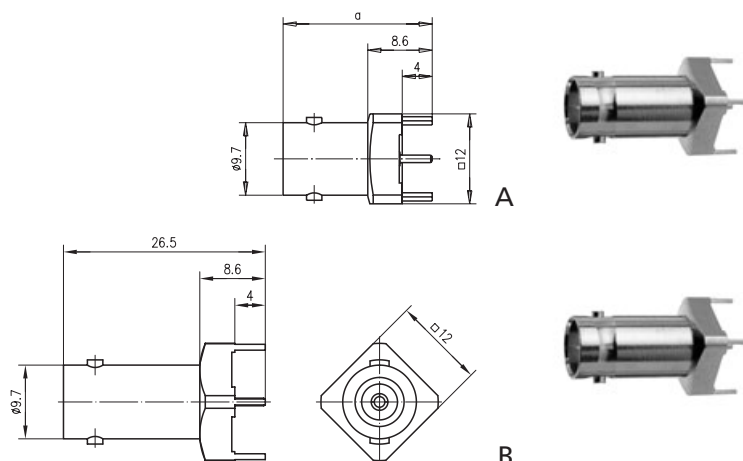
Bestell-Nr. Order Nr.	Abb. Fig.	Z Z	Einbaumaß Mount. dim.	Anmerkungen Remarks	Abmessungen Dimensions
J01001A0037	A	50	Z04/Z34	ohne Fixierstifte mit Befestigungsschrauben, Lötpin 90 without fixing pins with fastening screws, solder pin 90	
J01001A0038	B	50	Z04/Z34	Mit Fixierstiften ohne Befestigungsschrauben, Lötpin 90 without fixing pins with fastening screws, solder pin 90	a=16, b=35
J01001F0000	B	50	Z04/Z34	Mit Fixierstiften ohne Befestigungsschrauben, Lötpin 90 without fixing pins with fastening screws, solder pin 90	a=13, b=34.5
J01001A0039	C	50	Z04/Z83	mit Befestigungsschrauben, Lötpin 90 with fastening screws, solder pin 90	
J01001A0040	D	50	Z04/Z33	mit Befestigungsschrauben, Lötpin gerade with fastening screws, solder pin straight	
J01001F0002	E	50	Z04/Z42	mit Fixierstiften, Lötpin gerade with fixing pins, solder pin straight	

## 17 BNC-Winkeleinbaubuchse BNC Angle Bulkhead Socket



Bestell-Nr. Order Nr.	MIL-Std. MIL-Std.	Z Z	Einbaumaß Mount. dim.
J01001A1235	UG-1098/U	50	Z01

### 18 BNC-Buchse für gedruckte Schaltungen BNC Receptacle, female, for Printed Circuits

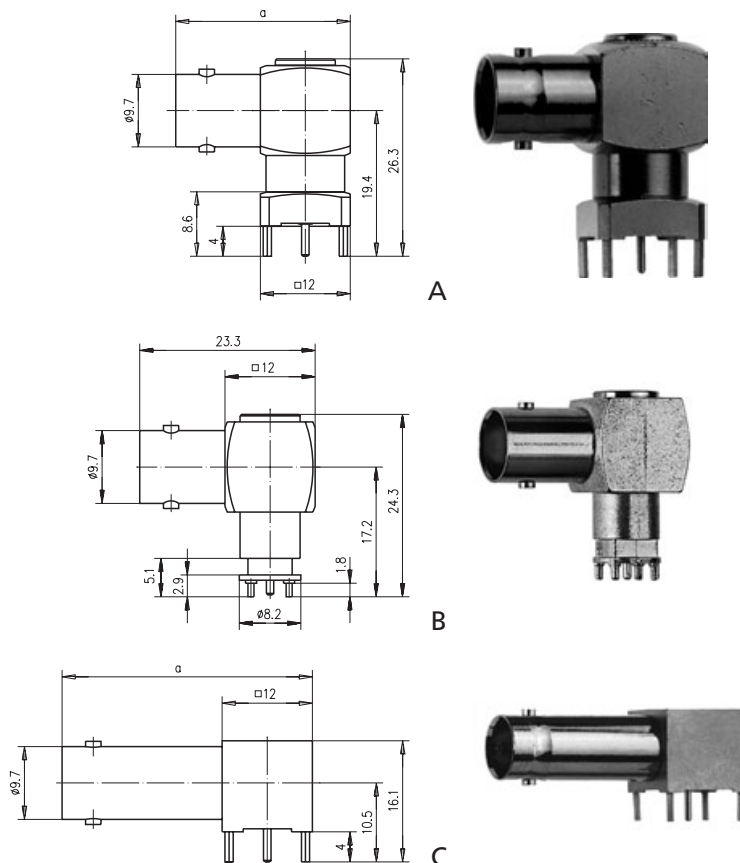


Bestell-Nr. Order Nr.	Abb. Fig.	Z Z	Einbaumaß Mount. dim.	Abmessungen Dimensions
J01001A1944	A	50	Z06	a=20
J01001A1945	B	50	Z06	
J01003A1946	A	75	Z06	a=20
J01003A1947	B	75	Z06	

andere Längen auf Anfrage

other lengths upon request

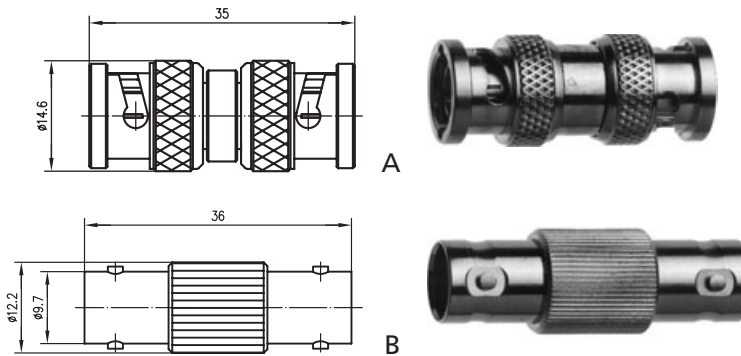
### 19 BNC-Winkelbuchse für gedruckte Schaltungen BNC Angle Receptacle, female, for Printed Circuits



Bestell-Nr. Order Nr.	Abb. Fig.	Z Z	Einbaumaß Mount. dim.	Abmessungen Dimensions
J01001A1948	A	50	Z06	a=23

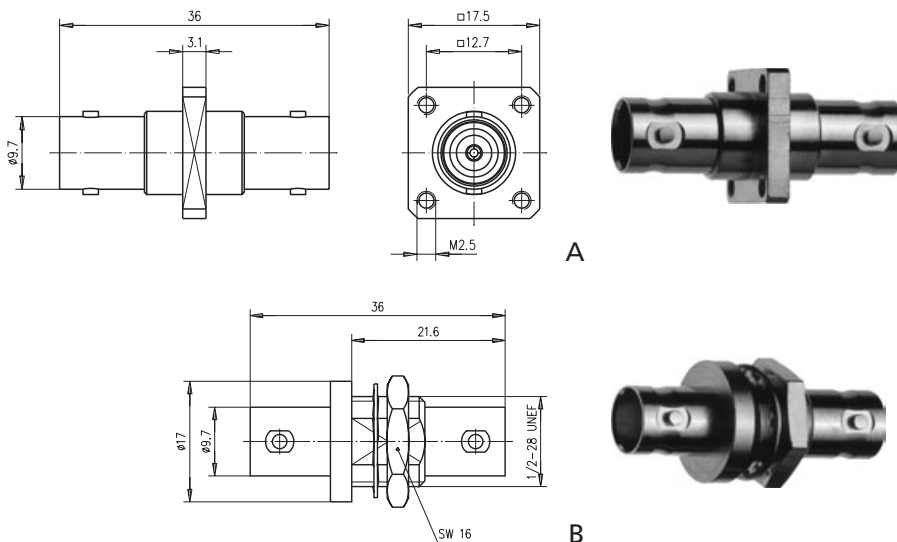
Bestell-Nr. Order Nr.	Abb. Fig.	Z	Einbaumaß Mount. dim.	Abmessungen Dimensions
J01001A0064	A	50	Z06	a=30
J01001A0049	B	50	Z25	
J01003A0018	A	75	Z06	a=30
J01003A1949	A	75	Z06	a=23
J01003A0026	B	75	Z25	
J01003A0030	C	75	Z06	a=33.3

## 20 BNC-Kupplung BNC Adaptor



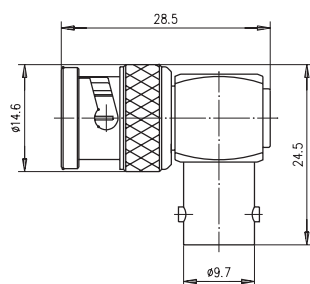
Bestell-Nr. Order Nr.	Abb. Fig.	MIL-Std. MIL-Std.	Z	Anmerkungen Remarks
J01004A0806	A	UG-491A/U	50	Sti-Sti m-m
J01004A0618	B	UG-914/U	50	Bu-Bu f-f
J01005A1230	A		75	Sti-Sti m-m
J01005A1229	B		75	Bu-Bu f-f

## 21 BNC-Verbindungsstück BNC Adaptor for Panel Mounting



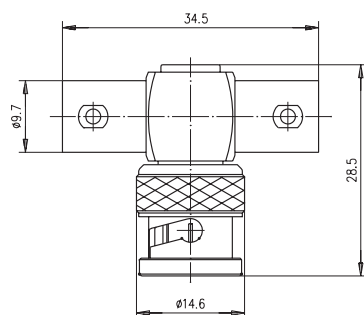
Bestell-Nr. Order Nr.	Abb. Fig.	MIL-Std. MIL-Std.	Z	Einbaumaß Mount. dim.	Anmerkungen Remarks
J01004A1231	A	UG-414A/U	50	Z05	Bu-Bu f-f
J01004A1233	B	UG-492A/U	50	Z04	Bu-Bu f-f
J01004A1333	B		50	Z04	Bu-Bu Isolierflansch f-f insulating flange
J01005A1232	A		75	Z05	Bu-Bu f-f
J01005A1234	B		75	Z04	Bu-Bu f-f
J01005A1334	B		75	Z04	Bu-Bu Isolierflansch f-f insulating flange
B00031D1275					passende Isolierscheiben für J01004A1233/J01005A1234 suitable insulation washers for A1233/A1234

## 22 BNC-Winkelverbindungsstück BNC Angle Adaptor

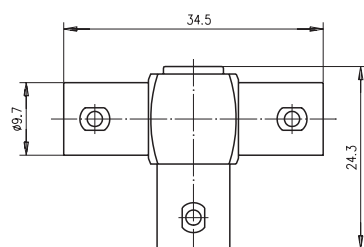


Bestell-Nr. Order Nr.	MIL-Std. MIL-Std.	Z Z	Anmerkungen Remarks
J01004A0617	UG-306/U	50	Sti-Bu m-f
J01005A1237		75	Sti-Bu m-f

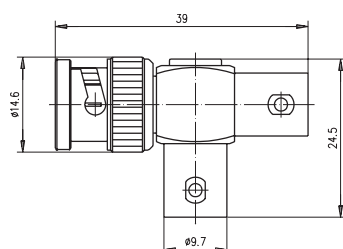
## 23 BNC-T-Stück BNC T Adaptor



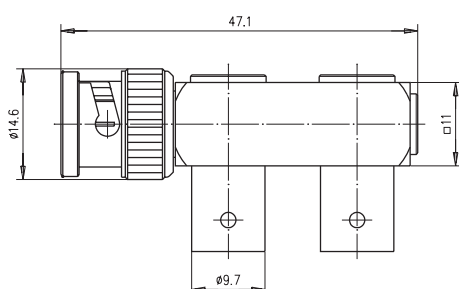
A



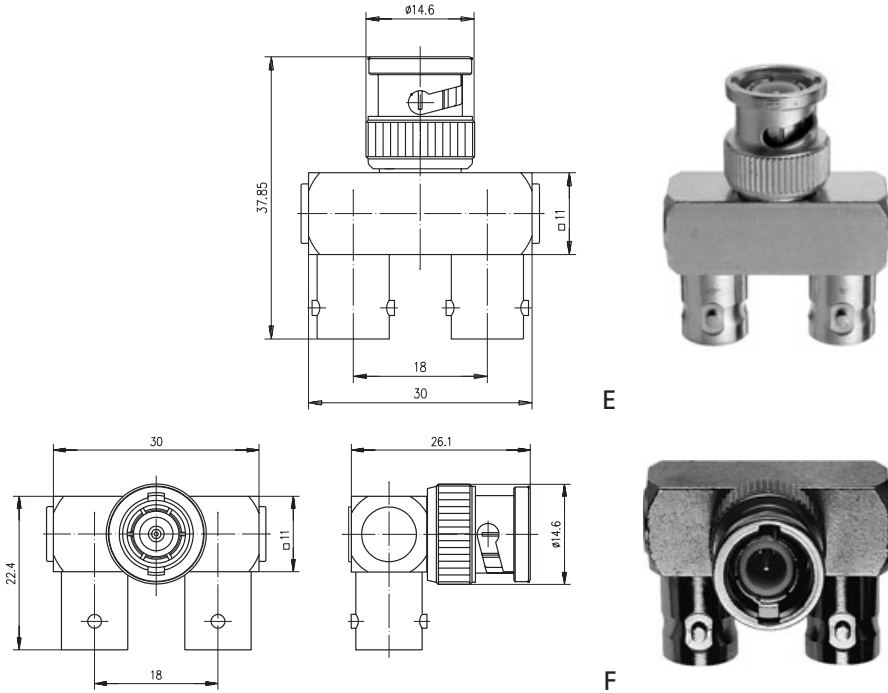
B



C

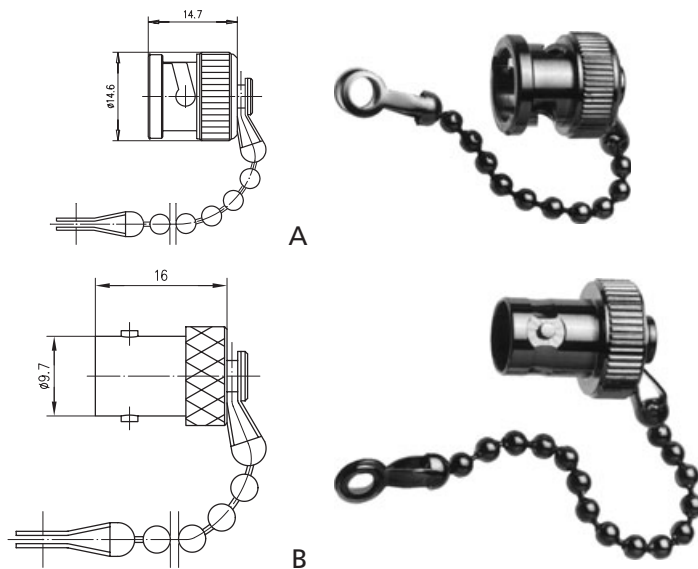


D



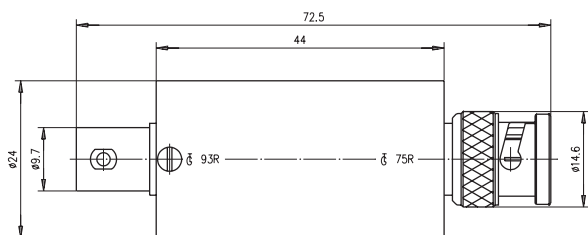
Bestell-Nr. Order Nr.	Abb. Fig.	MIL-Std. MIL-Std.	Z Z	Anmerkungen Remarks
J01004C0616	A	UG-274A/U	50	Bu-Sti-Bu f-m-f
J01004F0616	A		50	Bu-Sti-Bu; Low Cost f-m-f; Low Cost
J01004B0616	B		50	Bu-Bu-Bu f-f-f
J01004A0616	C		50	Sti-Bu-Bu m-f-f
J01004A0002	D		50	Sti-Bu-Bu m-f-f
J01004A0009	E		50	Bu-Sti-Bu f-m-f
J01004A0011	F		50	Bu-Sti-Bu f-m-f
J01005A1238	A		75	Bu-Sti-Bu f-m-f
J01005A0004	C		75	Sti-Bu-Bu m-f-f
J01005A0003	D		75	Sti-Bu-Bu m-f-f
J01005A0005	E		75	Bu-Sti-Bu f-m-f

## 24 BNC-Abdeckkappe BNC Dust Cap



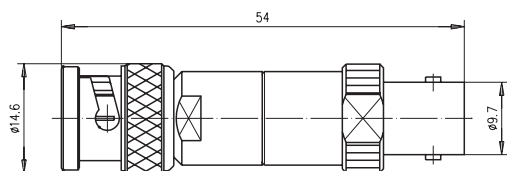
Bestell-Nr. Order Nr.	Abb. Fig.	MIL-Std. MIL-Std.	Anmerkungen Remarks
H00000A1239	A	CW-123/U	Sti m
H00000A1943	B	CW-282/U	Bu f

## 25 BNC-Anpassungsglied und Leergehäuse BNC Impedance Adaptor and Empty Box



Bestell-Nr. Order Nr.	Z Z	Anmerkungen Remarks
J01008A0807		Bu-Sti Leergehäuse <b>f-m empty box</b>
J01006A0808	93 Ohm auf 75 Ohm <b>93 Ohm to 75 Ohm</b>	Bu-Sti Einfügedämpfung 4.1 dB ≤ 100 MHz <b>f-m insertion loss 4.1 dB ≤ 100 MHz</b>
J01006B0808	93 Ohm auf 50 Ohm <b>93 Ohm to 50 Ohm</b>	Bu-Sti Einfügedämpfung 7.2 dB ≤ 100 MHz <b>f-m insertion loss: 7.2 dB ≤ 100 MHz</b>
J01006C0808	75 Ohm auf 50 Ohm <b>75 Ohm to 50 Ohm</b>	Bu-Sti Einfügedämpfung 5.7 dB ≤ 100 MHz <b>f-m insertion loss: 5.7 dB ≤ 100 MHz</b>
J01006D0808	75 Ohm auf 93 Ohm <b>75 Ohm to 93 Ohm</b>	Bu-Sti Einfügedämpfung 4.1 dB ≤ 100 MHz <b>f-m insertion loss 4.1 dB ≤ 100 MHz</b>
J01006E0808	50 Ohm auf 93 Ohm <b>50 Ohm to 93 Ohm</b>	Bu-Sti Einfügedämpfung 7.2 dB ≤ 100 MHz <b>f-m insertion loss: 7.2 dB ≤ 100 MHz</b>
J01006F0808	50 Ohm auf 75 Ohm <b>50 Ohm to 75 Ohm</b>	Bu-Sti Einfügedämpfung 5.7 dB ≤ 100 MHz <b>f-m insertion loss: 5.7 dB ≤ 100 MHz</b>

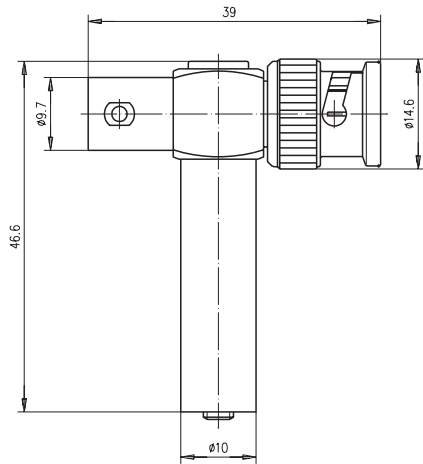
## 26 BNC-Dämpfungsglied/Durchgangsabschluss BNC Attenuator/Through Termination



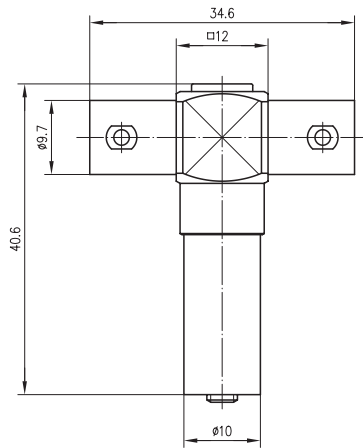
Bestell-Nr. Order Nr.	Z Z	Anmerkungen Remarks
J01006A0834	50	BNC-Dämpfungsglied; Sti-Bu 3 dB <b>BNC Attenuator; m-f 3 dB</b>
J01006A0835	50	BNC-Dämpfungsglied; Sti-Bu 6 dB <b>BNC Attenuator; m-f 6 dB</b>
J01006A0836	50	BNC-Dämpfungsglied; Sti-Bu 10 dB <b>BNC Attenuator; m-f 10 dB</b>
J01006A0837	50	BNC-Dämpfungsglied; Sti-Bu 20 dB <b>BNC Attenuator; m-f 20 dB</b>
J01006A0013	50	BNC-Durchgangsabschluss; Sti-Bu 0.5 W <b>BNC-Through Termination; m-f 0.5 W</b>
J01006A0014	75	BNC-Durchgangsabschluss; Sti-Bu 0.5 W <b>BNC-Through Termination; m-f 0.5 W</b>



## 27 BNC-Kerbfilter BNC Notch Filter



A



B



Bestell-Nr. Order Nr.	Abb. Fig.	Anmerkungen Remarks
J01006A0017	A	Sti-Bu 1575 MHz m-f 1575 MHz
J01006A0018	B	Bu-Bu 2180 MHz f-f 2180 MHz

Weitere BNC-Steckverbindervarianten können durch die Kombination von Normköpfen und Kabelabfahrungen (siehe Kapitel 15) zusammengestellt werden.

Combination connectors and cable clamps (see chapter 15) can be utilised to create a further number of BNC connector variations.