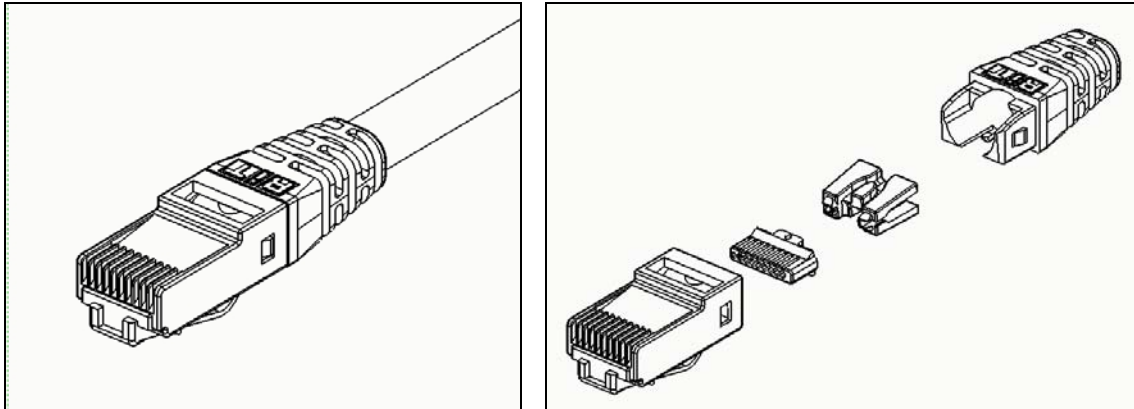


CLASSix UTP Modular Plugs

Features



- Conform to ANSI/TIA/EIA-568-B.2-1, ISO/IEC 11801 2nd edition (2002) and CENELEC EN50173 (2002) for Category 6/Class E. RiT CLASSix plug exceeds the Category 6 standards for NEXT and FEXT de-embedded requirements
- Improved cable retention provides enhanced pull-strength, as well as preventing pair deformation
- Ultra slim design for high density environments
- Backwards compatible
- Interoperable
- Field terminatable capability
- Latch protection in order to eliminate digging in high density patch cord installations
- IEC 60603-7 (603-7) compliant
- Available in 8 and 9 pins for supporting PatchView management systems
- Accommodate termination of 24-26 AWG stranded conductors
- Accommodate termination of 24 AWG solid conductors
- 50 micron gold plating contacts
- Designed for ease of termination and assembly

CLASSix™

RiT CLASSix Modular Plugs are part of the RiT CLASSix Cabling System™, featuring Category 6 performance. The system is designed to conform to ANSI/TIA/EIA-568-B.2-1, ISO/IEC 11801 2nd edition (2002) and CENELEC EN50173 (2002) for Category 6/Class E

CLASSix UTP Modular Plugs

Description



The CLASSix Plug is field-terminatable, with superior cable retention providing enhanced pull-strength and preventing pair deformation. The plug is designed to ensure precision wire placement, providing superior performance.

With RiT's Precision Placement Technology™ (PPT), the CLASSix Plug ensures high-repeatability Cross-Talk performance, with both factory and field termination. PPT enables Category 6 performance under any field condition.

The connectors have 8 contacts, and accommodate termination of 24 AWG and 26 AWG solid and stranded conductors.

CLASSix UTP Modular Plugs

Specifications



Construction

Plug Housing

PC Resin UL-94V0

Contacts

High grade copper alloy

Plating

50 micro inch (1.27 micrometer) gold

Electrical

Current/Voltage Rating

1.5 Amps, 30 VAC / 56 VDC

Dielectric Withstanding

1000 volts RMS, 1 min. (60Hz)}

Insulation Resistance

500 Megaohms